

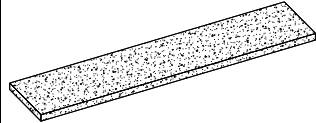
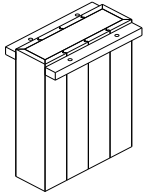


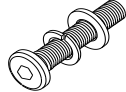
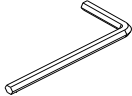

LIVING SPACES

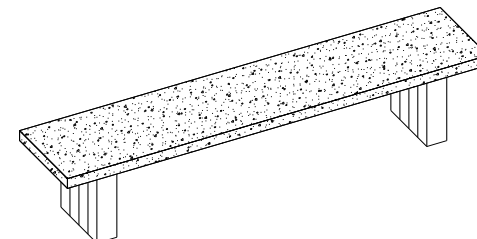
ASSEMBLY INSTRUCTIONS

Titan Bench
ITEM No.: 53004187



(BOX 1) Box of Bench Top / Bench Leg			
SKU#	IMAGE	DESCRIPTION	QUANTITY
53004187		Bench Top	1
		Bench Leg	2

(BOX 1) Box of Bench Top / Bench Leg			
SKU#	IMAGE	DESCRIPTION	QUANTITY
Z1 Z2 Z3		Bolt: Ø 8 x 40mm Washer: Ø 8 x 19 x 2mm Sping Washer: Ø 8 x 12 x 2mm	8
Z4		Allen Key: Ø 4mm x 59mm	1
Z5		Adjustable Bolt	4



COMPLETED
BENCH ASSEMBLY



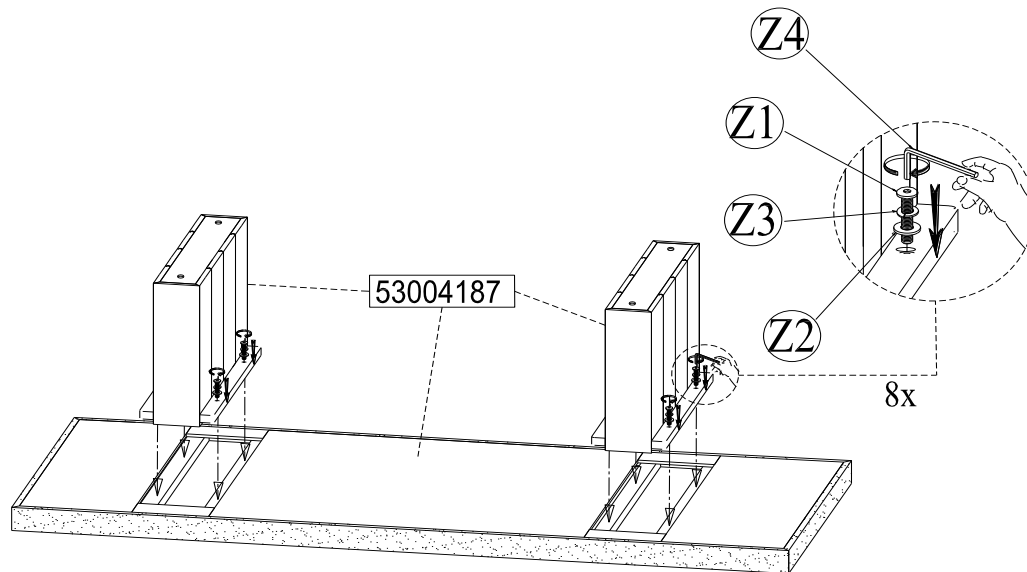
LIVING SPACES

ASSEMBLY INSTRUCTIONS

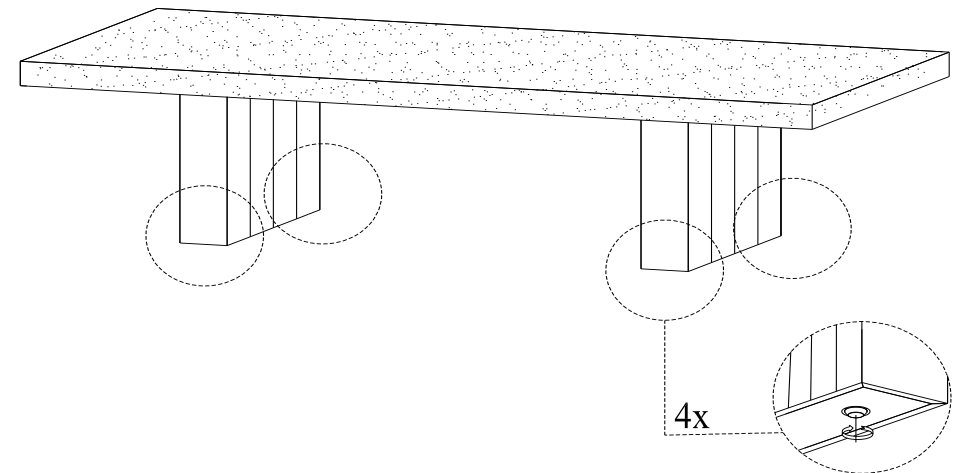
Titan Bench
ITEM No.: 53004187



STEP 1



STEP 2



THE HARDWARE IS LOCATED IN THE PACKING ITEMS

NOTE: MUST TIGHTEN SCREWS PERIODICALLY. WITH USE SCREW MAY BE COME LOOSE CHECK TIGHTNESS OF ALL SCREWS EVERY 6-8 WEEKS.

CLEANING INSTRUCTIONS

After assembly, clean & polish the completed parts if necessary with soft cloth and industrial recognized furniture polish.