



# LIVING SPACES

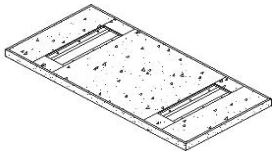
## ASSEMBLY INSTRUCTIONS

Titan Dining Table 82"


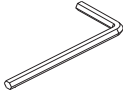

ITEM No.: 51030838




**(BOX 1)**  
Box of Table Top

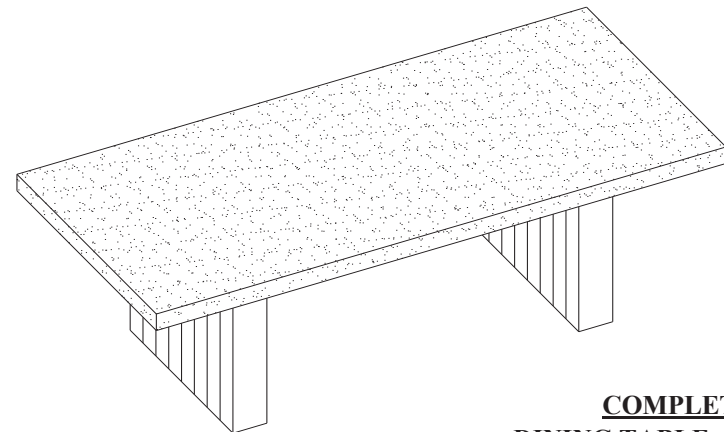
SKU#	IMAGE	DESCRIPTION	QUANTITY
51030838T		Table Top	1

**(BOX 1)**  
Table Top

SKU#	IMAGE	DESCRIPTION	QUANTITY
Z1 Z2 Z3		Bolt: Ø 8 x 40mm Washer: Ø 8 x 19 x 2mm Spring Washer: Ø 8 x 12 x 2mm	12
Z4		Allen Key: Ø 4mm x 59mm	1
Z5		Adjustable Bolt	4

**(BOX 2)**  
Box of Table Legs

SKU#	IMAGE	DESCRIPTION	QUANTITY
51030838B		Leg	2



**COMPLETED**  
**DINING TABLE ASSEMBLY**



# LIVING SPACES

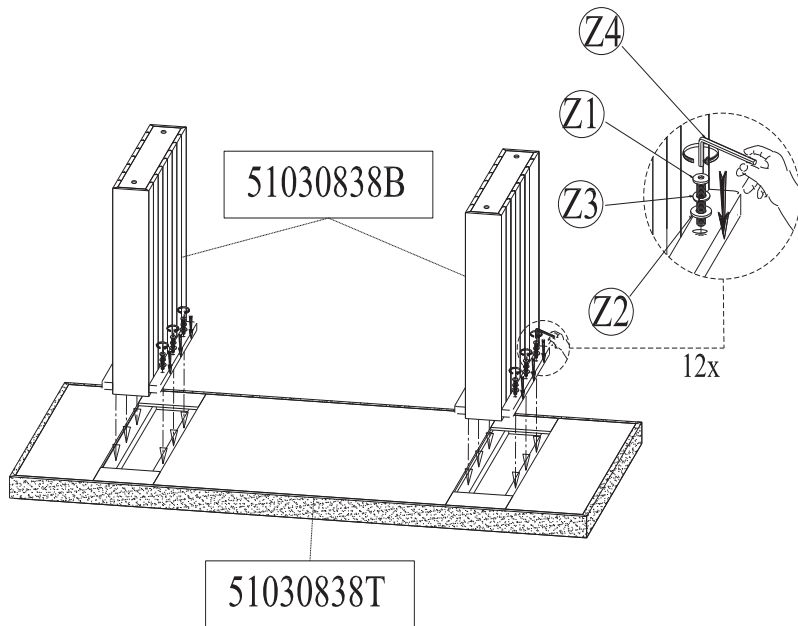
## ASSEMBLY INSTRUCTIONS

Titan Dining Table 82" TOP/BASE

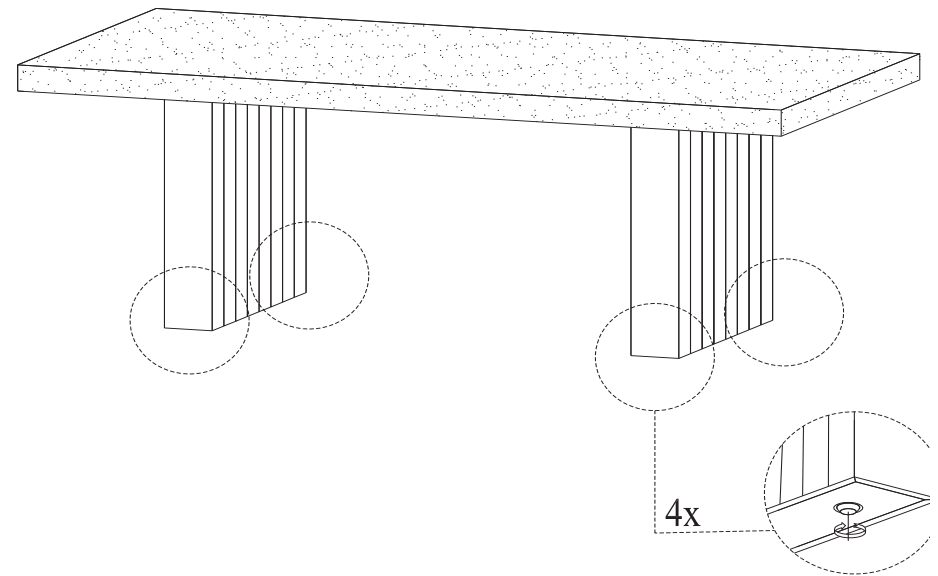
ITEM No.: 51030838T/ 51030838B - TOP/BASE



### STEP 1



### STEP 2



THE HARDWARE IS LOCATED IN THE PACKING ITEMS

NOTE: MUST TIGHTEN SCREWS PERIODICALLY. WITH USE SCREW MAY BE COME LOOSE CHECK TIGHTNESS OF ALL SCREWS EVERY 6-8 WEEKS.

### CLEANING INSTRUCTIONS

After assembly, clean & polish the completed parts if necessary with soft cloth and industrial recognized furniture polish.