

# DAKOTA 48" NATURAL ENTRYWAY CONSOLE TABLE

## 249903

*Assembly instructions:*

### PARTS LIST

No.	DESCRIPTION	IMAGE	Q'TY
P1	BODY		1
P2	LEGS		4

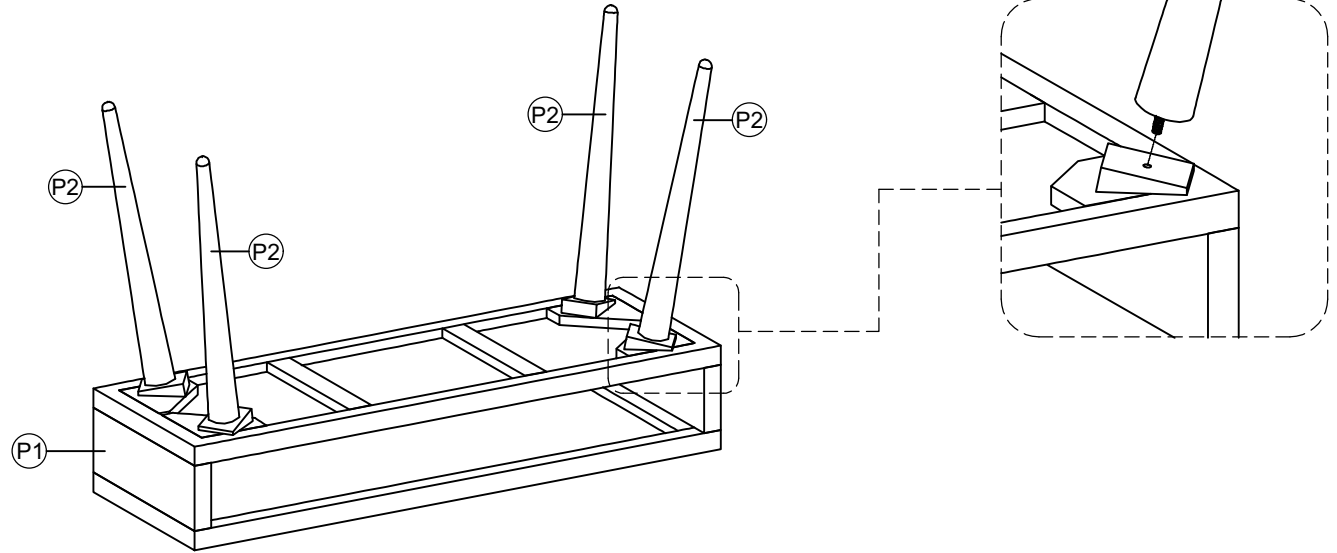
### HARDWARE LIST

No.	DESCRIPTION	IMAGE	Q'TY
H1	ANTI TIP KIT		1 SET

**NOTE:** PO# is located underneath/ at the back side is it item. Please be prepared to provide this # should any claim be necessary.

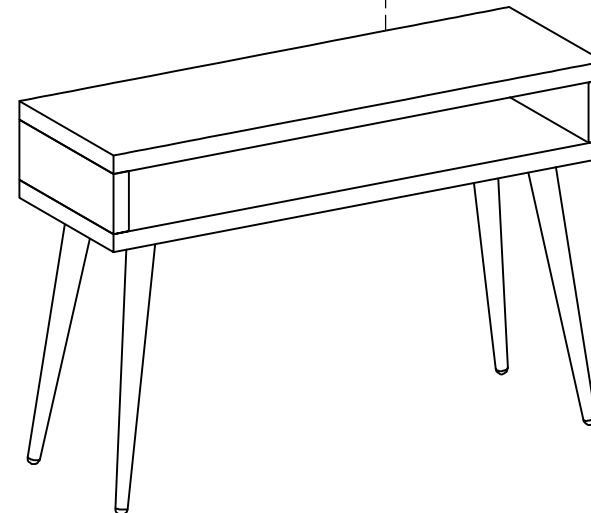
**CAUTION:** Item is heavy. Assembly should be performed by two people.

1



2

Anti Tip Kit has been attached to the product. Please, read guideline thoroughly and then install immediately to prevent product from tipping.



ASSEMBLED COMPLETED