

# DAKOTA COFFEE TABLE WITH STORAGE

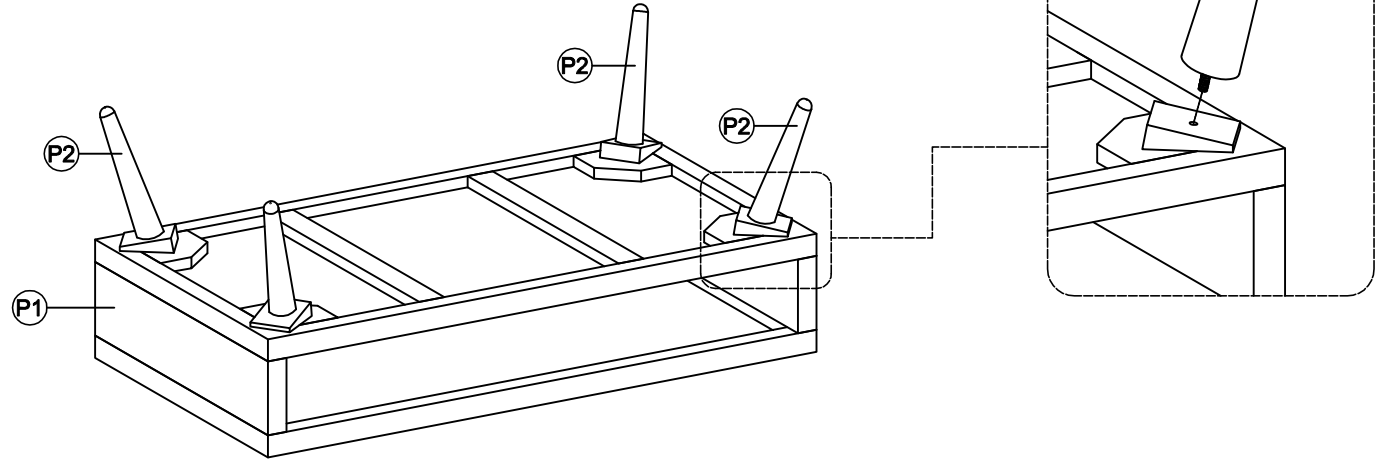
## 249901

*Assembly instructions:*

**PARTS LIST**

No.	DESCRIPTION	IMAGE	Q'TY
P1	BODY		1
P2	LEGS		4

**1**



**NOTE:** PO # is located underneath/ at the back side of each item. Please be prepared to provide this # should any claim be necessary.

**CAUTION:** Item is heavy. Assembly should be performed by two people.

**2**

