

# LIVING SPACES

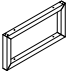
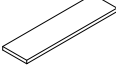
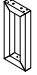
## OWNER'S MANUAL

WESTON CONSOLE TABLE  
LIVING SPACES SKU : 249894 / 249895  
VENDOR ITEM NO. : 7VD823B / 7VD823T

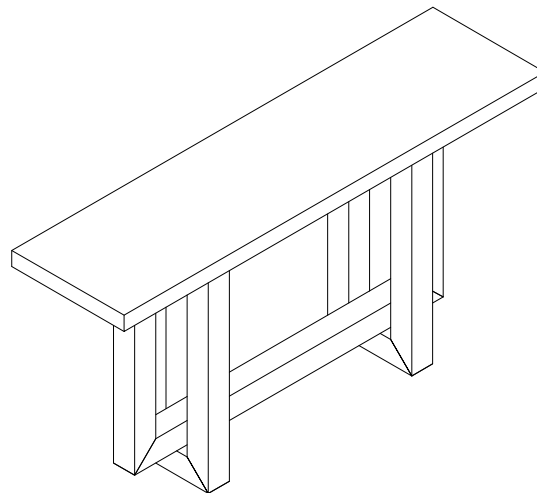


Scan QR code to view assembly video



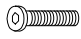

### ASSEMBLY PARTS LIST

BOX 1 (SKU 249894) Wood base				BOX 2 (SKU 249895) Table top			
SKU #	IMAGE	DESCRIPTION	QUANTITY	SKU #	IMAGE	DESCRIPTION	QUANTITY
249894 -1		LONG RECTANGULAR FRAME	1	249895		TABLE TOP	1
249894 -2		SHORT RECTANGULAR FRAME	2				


FULLY ASSEMBLED



### HARDWARE KIT PACKED IN BOX 1 SKU : 7VZZ23HW

SKU #	IMAGE	DESCRIPTION	QUANTITY	SKU #	IMAGE	DESCRIPTION	QUANTITY
7VZZ23HW -1		ALLEN KEY (M4)	1	7VZZ23HW -3		LOCK WASHER (M8)	8
7VZZ23HW -2		ALLEN BOLT (M8 x70MM)	8	7VZZ23HW -4		FLAT WASHER (M8)	8

### PRE-ASSEMBLED PARTS LIST

SKU #	IMAGE	DESCRIPTION	SKU #	IMAGE	DESCRIPTION
7VZZ23LV		LEG LEVELER	7VZZCPWCK		TOP WAX CARE KIT

# LIVING SPACES

## OWNER'S MANUAL

WESTON CONSOLE TABLE  
LIVING SPACES SKU : 249894 / 249895  
VENDOR ITEM NO. : 7VD823B / 7VD823T

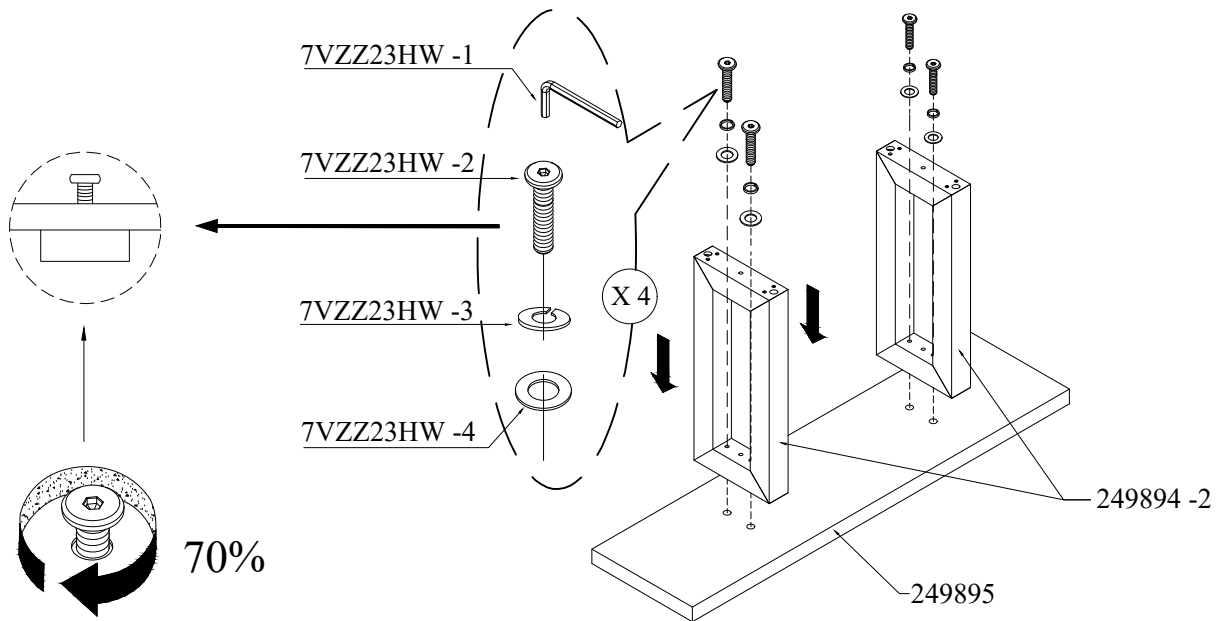


Scan QR code to view assembly video

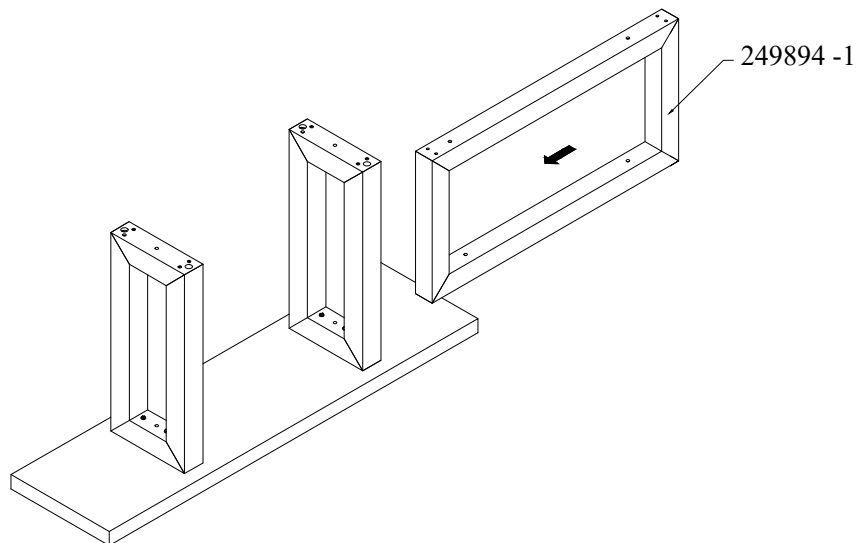
### ASSEMBLY INSTRUCTIONS



①



②



# LIVING SPACES

## OWNER'S MANUAL

WESTON CONSOLE TABLE  
LIVING SPACES SKU : 249894 / 249895  
VENDOR ITEM NO. : 7VD823B / 7VD823T

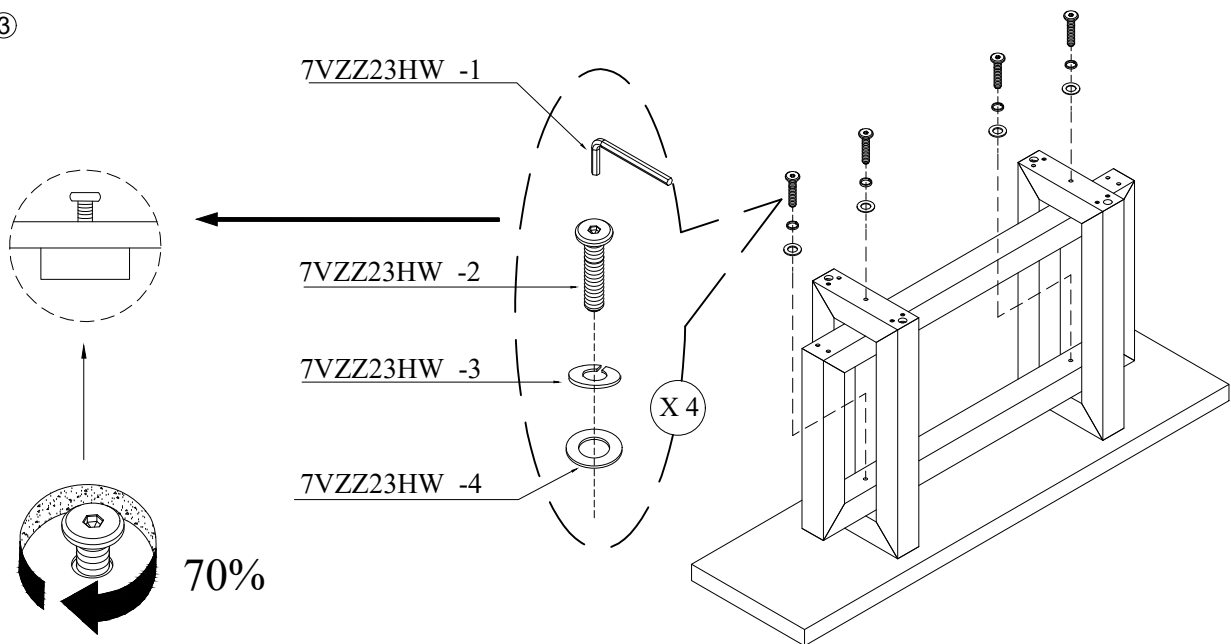


Scan QR code to view assembly video

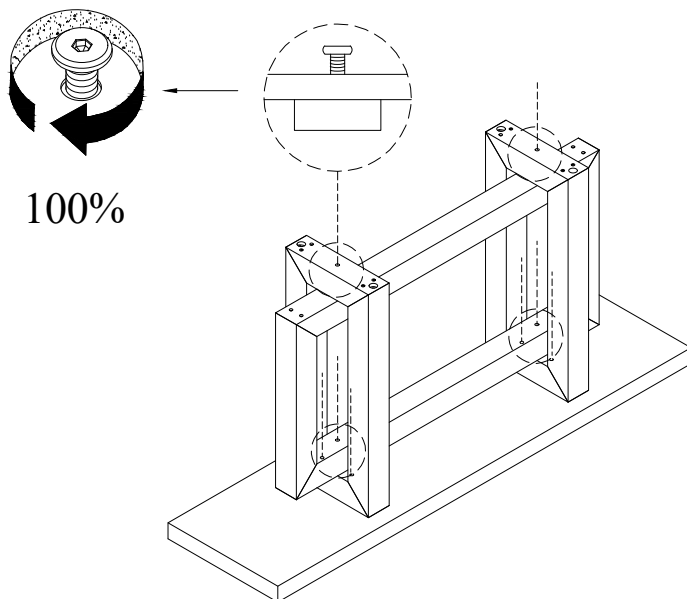
### ASSEMBLY INSTRUCTIONS



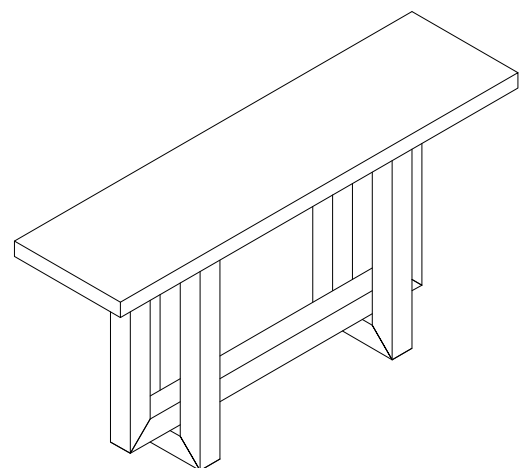
③



④



⑤



ASSEMBLY COMPLETE

# LIVING SPACES

## OWNER'S MANUAL

WESTON CONSOLE TABLE  
LIVING SPACES SKU : 249894 / 249895  
VENDOR ITEM NO. : 7VD823B / 7VD823T



Scan QR code to view assembly video



### WARNING:

- Maximum distributed load capacity: 225 lbs.
- Sitting, standing or jumping on this product may result in damage or injury.

### ROUTINE MAINTENANCE:

Periodically check all fittings and tighten if necessary, as they can loosen over time. If uneven, the table can be leveled by adjusting the levelers under the legs/base.

### CARE AND CLEANING:

**CONCRETE:** Clean with a slightly damp cloth and dry immediately with a lint-free cloth. Never use abrasive or acidic cleaning products. Use coasters and placemats to help prevent marking and stains; clean up spills as soon as possible. Do not cut directly or place hot pans on the concrete top to avoid damaging the sealer. We recommend re-waxing the table surface every 3 to 6 months depending on use, with a paraffin-based stone floor wax. Additionally, resealing becomes necessary when highs and lows in the sheen of your table top become visible. This basic care will ensure the longevity of your purchase.

**SOLID WOOD:** Congratulations on purchasing this handcrafted solid wood furniture product. Please keep in mind that wood is sensitive to changes in humidity. As the weather changes so does the relative humidity in your home and the moisture content of your solid wood furniture. We have taken every precaution to stabilize the lumber used to build this product. Still, you may observe plank movement or small cracks as the seasons change, particularly during the first 6-12 months of ownership. This is normal for solid wood furniture and will not affect the performance or longevity of this product.

Dust frequently with a clean, damp, lint-free cloth. Frequent dusting will remove abrasive build-up which can damage a finish over time. Avoid using oily polishes or waxes. Avoid exposing your furniture to strong sunlight. Prolonged exposure to direct sunlight can fade the finish of your furniture. Do not expose your furniture to any liquids. Never allow water to sit on your furniture. Do not place hot items on top of surface, always use a mat or other protector. Alcohol, nail polish and perfume are also dangerous, as they can dissolve the furniture finish on contact and may require professional repairs.