

LIVING SPACES

OWNER'S MANUAL

WESTON COFFEE TABLE
 LIVING SPACES SKU : 249888 / 249889
 VENDOR ITEM NO. : 7VD821B / 7VD821T

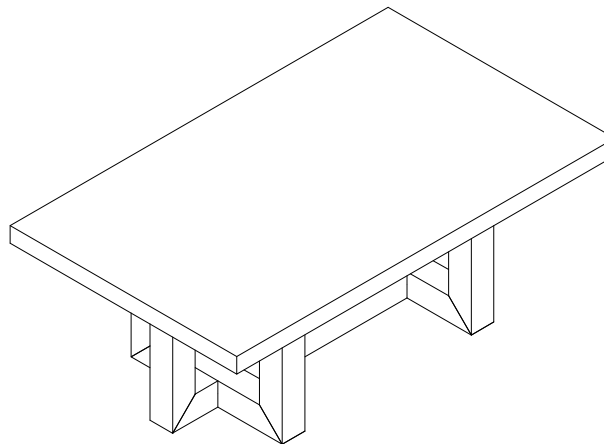


Scan QR code to view assembly video

ASSEMBLY PARTS LIST

BOX 1 (SKU 249888) Wood base				BOX 2 (SKU 249889) Table top			
SKU #	IMAGE	DESCRIPTION	QUANTITY	SKU #	IMAGE	DESCRIPTION	QUANTITY
249888 -1		C LEG FRAME	1	249889		TABLE TOP	1
249888 -2		RECTANGULAR LEG FRAME	2				

FULLY ASSEMBLED



HARDWARE KIT PACKED IN BOX 1 SKU : 7VZZ21HW

SKU #	IMAGE	DESCRIPTION	QUANTITY	SKU #	IMAGE	DESCRIPTION	QUANTITY
7VZZ21HW -1		ALLEN KEY (M4)	1	7VZZ21HW -4		ALLEN SCREW (M6 x55MM)	4
7VZZ21HW -2		ALLEN BOLT (M8 x70MM)	4	7VZZ21HW -5		LOCK WASHER (M8)	6
7VZZ21HW -3		ALLEN BOLT (M8 x40MM)	2	7VZZ21HW -6		FLAT WASHER (M8)	6

PRE-ASSEMBLED PARTS LIST

SKU #	IMAGE	DESCRIPTION	SKU #	IMAGE	DESCRIPTION
7VZZ21LV		LEG LEVELER	7VZZCPWCK		TOP WAX CARE KIT

LIVING SPACES

OWNER'S MANUAL

WESTON COFFEE TABLE
LIVING SPACES SKU : 249888 / 249889
VENDOR ITEM NO. : 7VD821B / 7VD821T

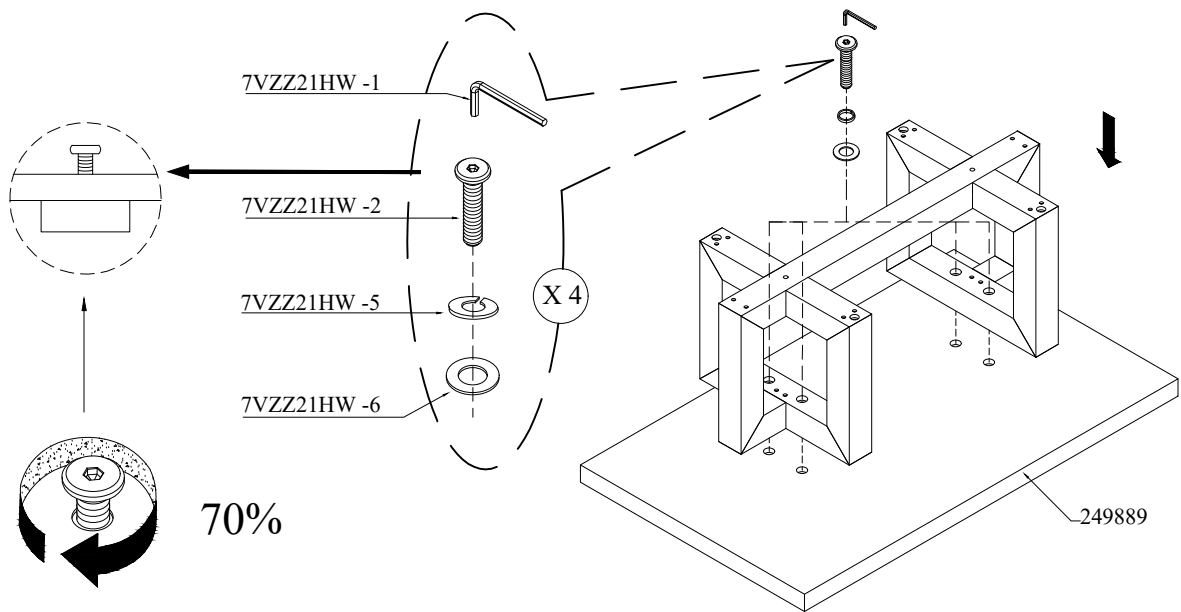


Scan QR code to view assembly video

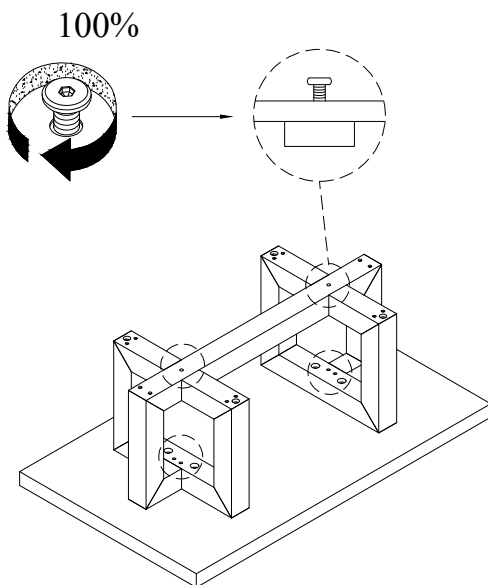
ASSEMBLY INSTRUCTIONS



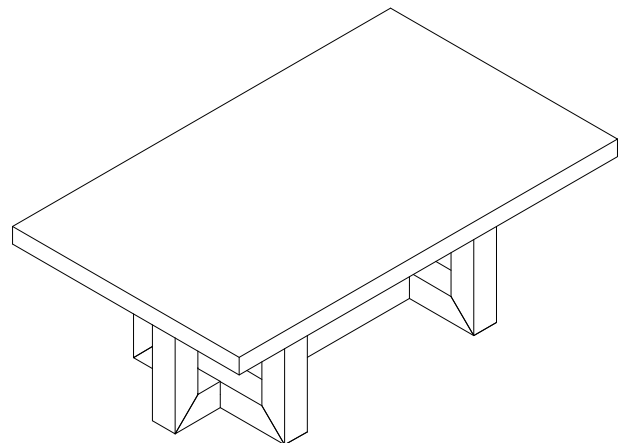
③



④



⑤



ASSEMBLY COMPLETE

LIVING SPACES

OWNER'S MANUAL

WESTON COFFEE TABLE
LIVING SPACES SKU : 249888 / 249889
VENDOR ITEM NO. : 7VD821B / 7VD821T



Scan QR code to view assembly video



WARNING:

- Maximum distributed load capacity: 240 lbs.
- Sitting, standing or jumping on this product may result in damage or injury.

ROUTINE MAINTENANCE:

Periodically check all fittings and tighten if necessary, as they can loosen over time. If uneven, the table can be leveled by adjusting the levelers under the legs/base.

CARE AND CLEANING:

CONCRETE: Clean with a slightly damp cloth and dry immediately with a lint-free cloth. Never use abrasive or acidic cleaning products. Use coasters and placemats to help prevent marking and stains; clean up spills as soon as possible. Do not cut directly or place hot pans on the concrete top to avoid damaging the sealer. We recommend re-waxing the table surface every 3 to 6 months depending on use, with a paraffin-based stone floor wax. Additionally, resealing becomes necessary when highs and lows in the sheen of your table top become visible. This basic care will ensure the longevity of your purchase

SOLID WOOD: Congratulations on purchasing this handcrafted solid wood furniture product. Please keep in mind that wood is sensitive to changes in humidity. As the weather changes so does the relative humidity in your home and the moisture content of your solid wood furniture. We have taken every precaution to stabilize the lumber used to build this product. Still, you may observe plank movement or small cracks as the seasons change, particularly during the first 6-12 months of ownership. This is normal for solid wood furniture and will not affect the performance or longevity of this product.

Dust frequently with a clean, damp, lint-free cloth. Frequent dusting will remove abrasive build-up which can damage a finish over time. Avoid using oily polishes or waxes. Avoid exposing your furniture to strong sunlight. Prolonged exposure to direct sunlight can fade the finish of your furniture. Do not expose your furniture to any liquids. Never allow water to sit on your furniture. Do not place hot items on top of surface, always use a mat or other protector. Alcohol, nail polish and perfume are also dangerous, as they can dissolve the furniture finish on contact and may require professional repairs.