



7030-01205 KIT

4684 Ladder






(Scan code for instructional video)

Summit/Mateo Collection: Ladder

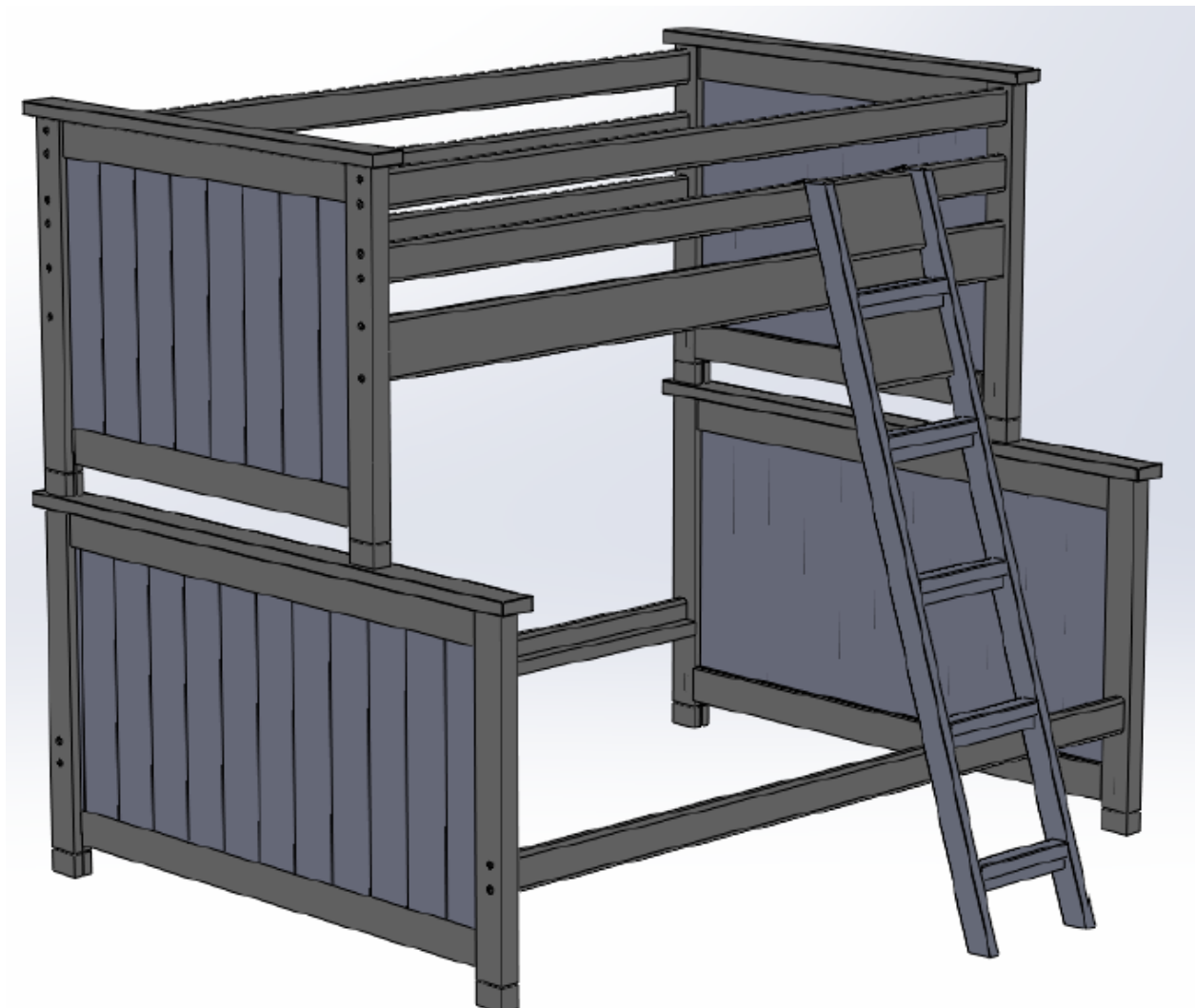
PARTS LIST

BOX 1: 4684 Summit/Mateo Ladder

Part #	Picture	Description	Quantity
S0050FFR		Summit/Mateo Ladder Assembly	1
5045-65306		Ladder Hook	2
5040-35408		#8 x 1 1/4" Phil Flat Zinc Screw	8

Make sure you have all parts before beginning assembly. If you need a part, contact Living Spaces

COMPLETED ASSEMBLY



TOOL REQUIRED:

1. Phillips Head Screwdriver

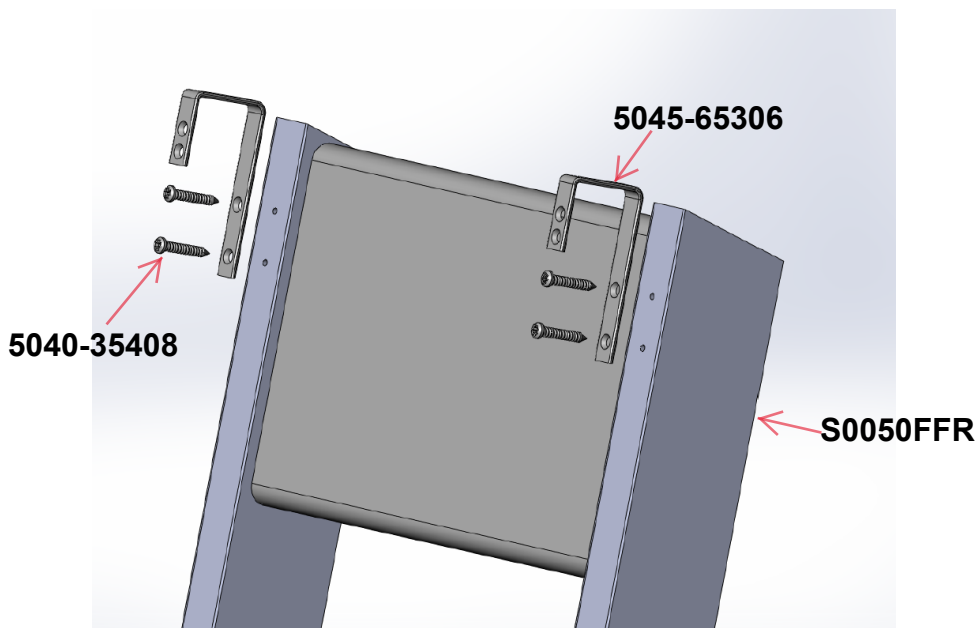
TOOL RECOMMENDED:

1. Electric drill with phillips bit

ASSEMBLY INSTRUCTIONS:

- 1) Locate the pre-drilled holes in the back of the ladder.
- 2) Attach the ladder hooks hook-side-out with 4 screws, 2 on each hook.
- 3) Determine the best placement for your ladder on the top bunk, being mindful of your child's accessibility and safety. For Mateo bunks, the middle guard rail will need to be used. For Summit bunks, the top guard rail can be used.
- 4) Secure ladder brackets to the guard rail using the remaining 4 screws, 2 on each hook, and tighten.

STEP 1



STEP 2

