

7030-01180 KIT



4670 Frame Rails/4671 Bunk Ends



(Scan code for instructional video)

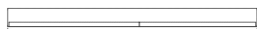


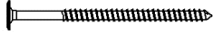
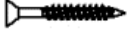



Summit Collection: Twin/Twin Bunk Bed

PARTS LIST

BOX 1: 4671 Summit Twin/Twin Bunk Ends

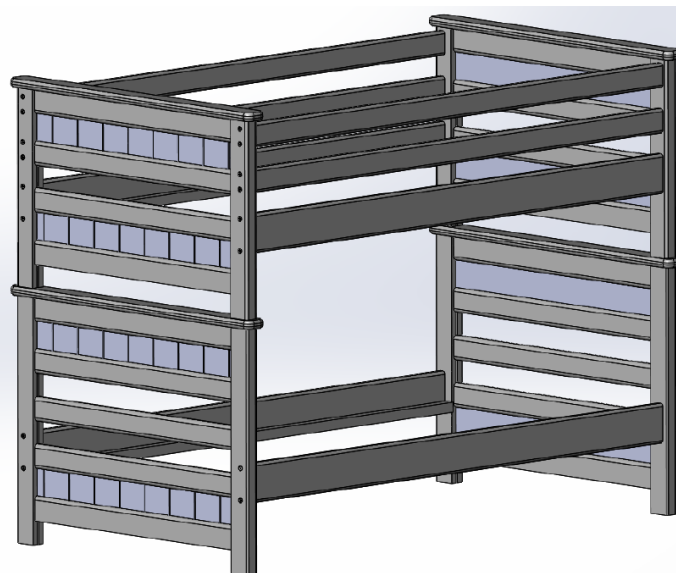
Part #	Picture	Description	Quantity
S0164END		Summit Twin Bottom Bunk End	2
S0165END		Summit Twin Top Bunk End	2

BOX 2: 4670 Summit Full/Full Bunk Frame

Part #	Picture	Description	Quantity
S1001SRL		5/4 x 6 x 75 Mattress Rail	4
541750001		5/4 x 4 x 75 Guard Rail	4
149383/40		Twin Individual Slat	6
5040-43183		7MM x 100MM Decorative Lag Bolt	32
5040-35410		#6 x 1 1/4 Phil Flat Slat ScREW	20
ALNWR		4MM Allen Wrench	1
PWRDD		4MM Power Drill Driver	1
FLDWL		3" Fluted Dowel	4

Make sure you have all parts before beginning assembly. If you need a part, contact Living Spaces

COMPLETED ASSEMBLY



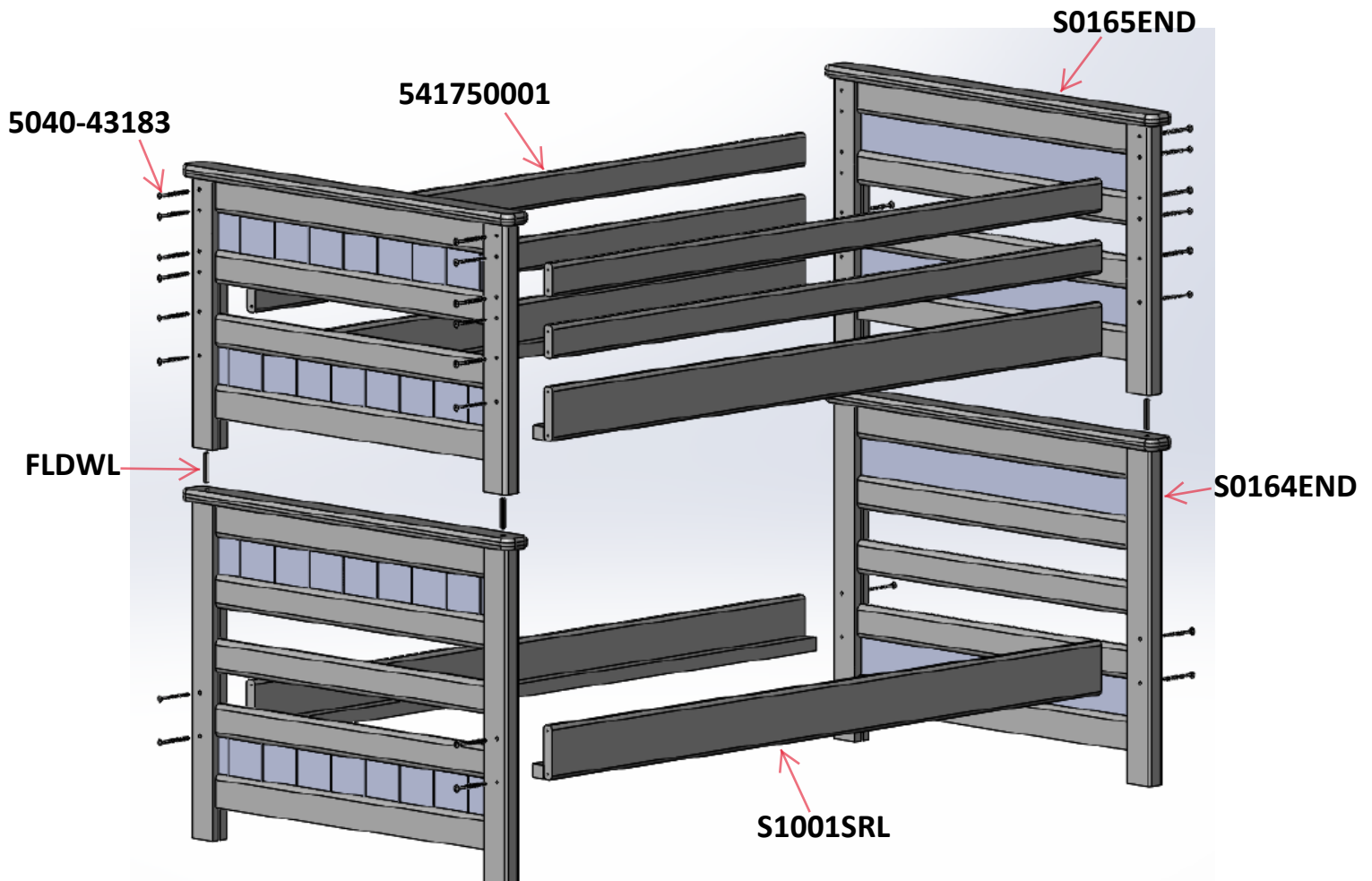
TOOLS REQUIRED: Phillips Head Screwdriver - recommended: Drill for 4mm driver and phillips bit (not included)

WHEN USING THE 4mm DRIVER WITH A DRILL, MAKE SURE THAT THE 4mm DRIVER IS FULLY SEATED INTO BOLTS BEFORE TURNING...GIVE THEM A PUSH, YOU'LL FEEL THEM SETTLE IN COMPLETELY.

BE SURE TO JUST **START LAGS INTO THE HOLES ON THE FRAME RAILS FOR ASSEMBLY. SPEND TWO ROUNDS TIGHTENING LAGS SLOWLY AROUND EACH BED SURFACE SO THAT YOU DON'T BREAK OUT THE MATTRESS/GUARD RAILS BY DRIVING LAGS IN CROOKED.**

ASSEMBLY INSTRUCTIONS

- 1) Attach two mattress rails to two bottom end assemblies with 8 lag bolts and tighten.
- 2) Attach two mattress rails and two guard rails to top end assembly with 24 lag bolts and tighten.
- 3) Place four wooden dowels in the four holes in top edge of bottom bunk assembly.
- 4) Place the top bunk assembly on the bottom bunk assembly, ensuring that the dowels are inserted in holes in the top bunk assembly.
- 5) Place 3 short mattress supports on mattress rail support cleats on top bed assembly, with one support in the center, and a support pushed tightly against each end assembly. Repeat with 3 short mattress supports on bottom bed assembly.
- 6) Secure mattress supports with 20 wood screws, placing 2 screws in each end of the lower outboard mattress supports.
- 7) Add bunk boards or slat kits and the proper thickness innerspring bunk mattresses. See dealer for details



SAFETY WARNING

Our Bunk Beds have been tested by an Independent Laboratory and are certified to be in compliance with: ASTM F-1427, “Standard Consumer Safety Specification for Bunk Beds” and U.S. Government specifications 16 Code of Federal Regulations, parts 1213 and 1513.

SAFETY WARNINGS

1. Follow the information on the warnings attached to the upper bunk end structure and on the carton. Do not remove this label.
2. Always use the recommended size mattress or mattress support, or both, to help prevent the likelihood of entrapment or falls.
3. Top surface of mattress must be at least **five inches** (127mm) below the upper edge of top guard rails.
4. Do not allow children less than six years of age to use the upper bunk.
5. Periodically, check and ensure that the guardrail, ladder and other components are in their proper position, free from damage and that all connectors are tight.
6. Do not allow horseplay on or under the bed and prohibit jumping on the bed and ladder.
7. Prohibit more than one person on upper bunk.
8. Always use the ladder or bed end for entering and leaving the upper bunk.
9. Do not use substitute parts. Contact Living Spaces for replacement parts.
10. Use of a night-light may provide added safety precautions for a child using the upper bunk.
11. If the bunk bed will be placed next to a wall, the guardrail that runs the full length of the bed should be placed against the wall to prevent entrapment between the bed and the wall. (This applies only to bunk beds without two full-length guardrails.)
12. Always use guardrails on both long sides of the upper bunk.
13. The use of water or sleep flotation mattress is expressly prohibited.
14. Keep these instructions for future reference.

STRANGULATION HAZARD

15. Never attach or hang items to any part of the bunk bed that are not designed for use with the bed for example, but not limited to hooks, belts and jump ropes.

SIZE OF MATTRESS AND FOUNDATION

Your Twin bed is designed to use a mattress 37”-39” in width and 74” - 75” in length.

Your Full bed is designed to use a mattress 52”- 54” in width and 74” - 75” in length.

The total thickness of mattress and foundation (slat kit, bunk board, etc.) combined must not exceed **10”**.

Note: There must be at least 5” from mattress sleeping surface to top edge of guardrail.

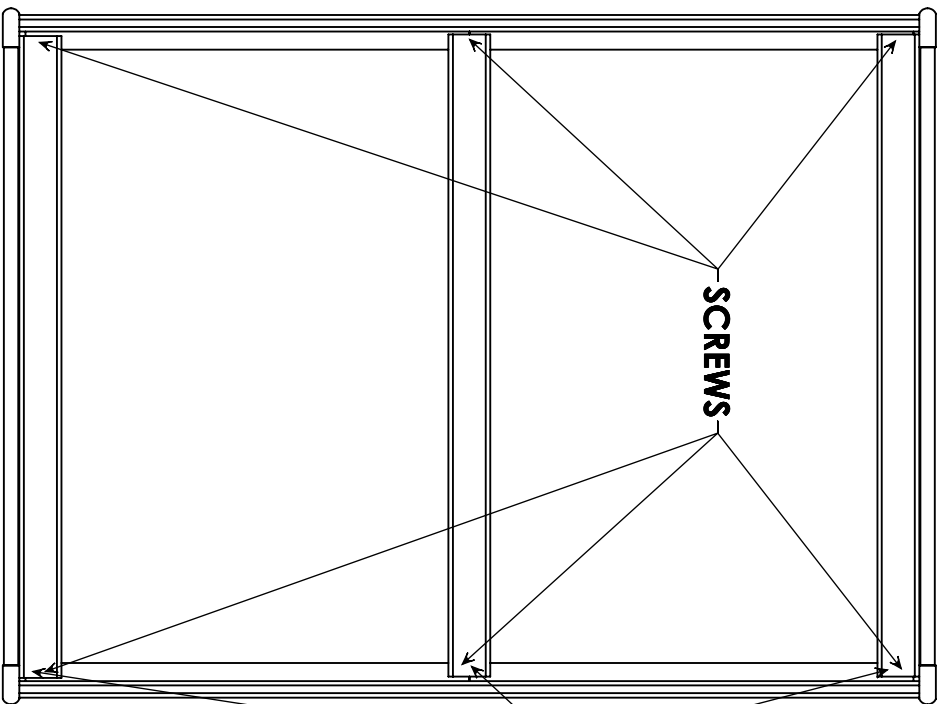
REPLACEMENT PARTS

Replacement parts, including additional guardrails, may be requested from Living Spaces, usually at a cost.

Scan Code for Instructional video



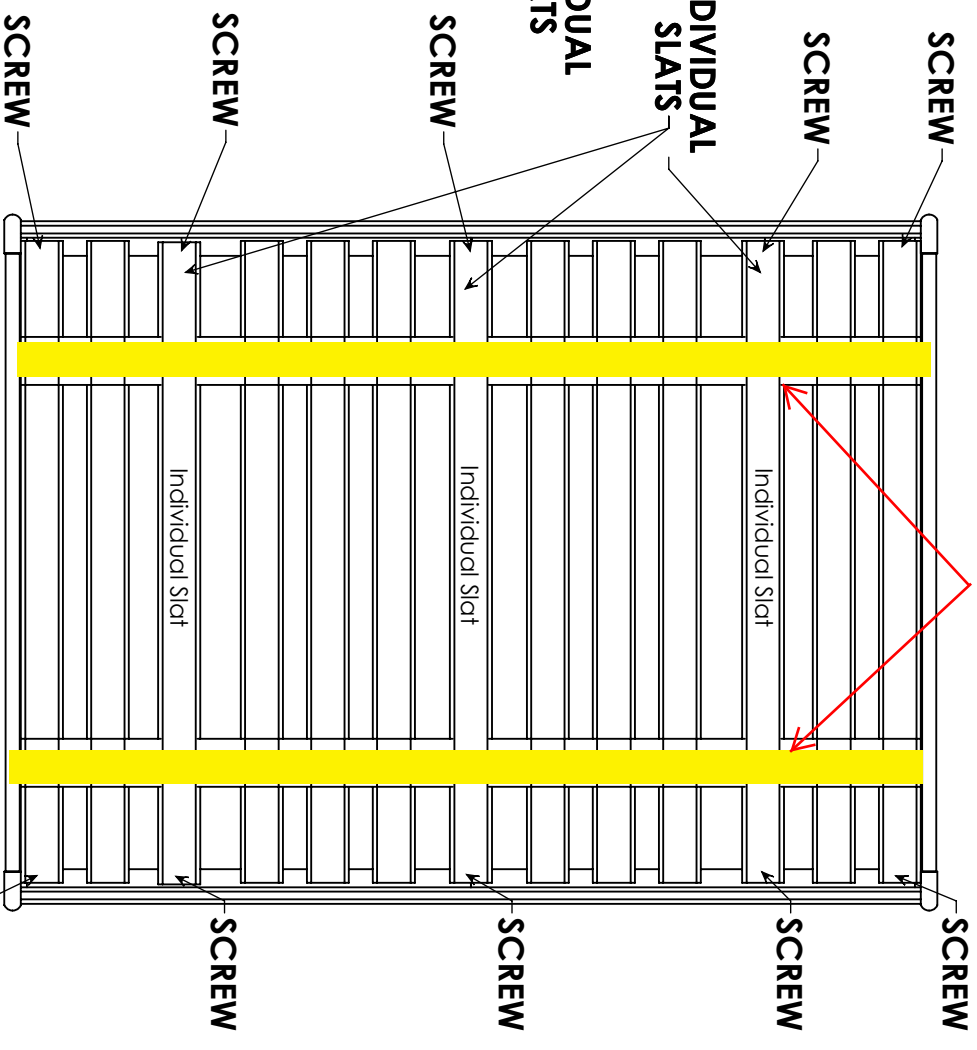
Diagram 1



Installation of individual slats for use with Bunkie Board (Bunkie Board sold separately) See your retailer for purchase of Bunkie Board

When used with a slot roll, the three individual slats should be placed evenly in the gaps and underneath the strapping before fastening.

Diagram 2



Installation of individual slats for use with Slot Roll (Slot roll sold separately) See your retailer for purchase of Slot Roll

7030-00135 KIT

4697 Trundle



Summit Collection: Trundle



(Scan code for instructional video)

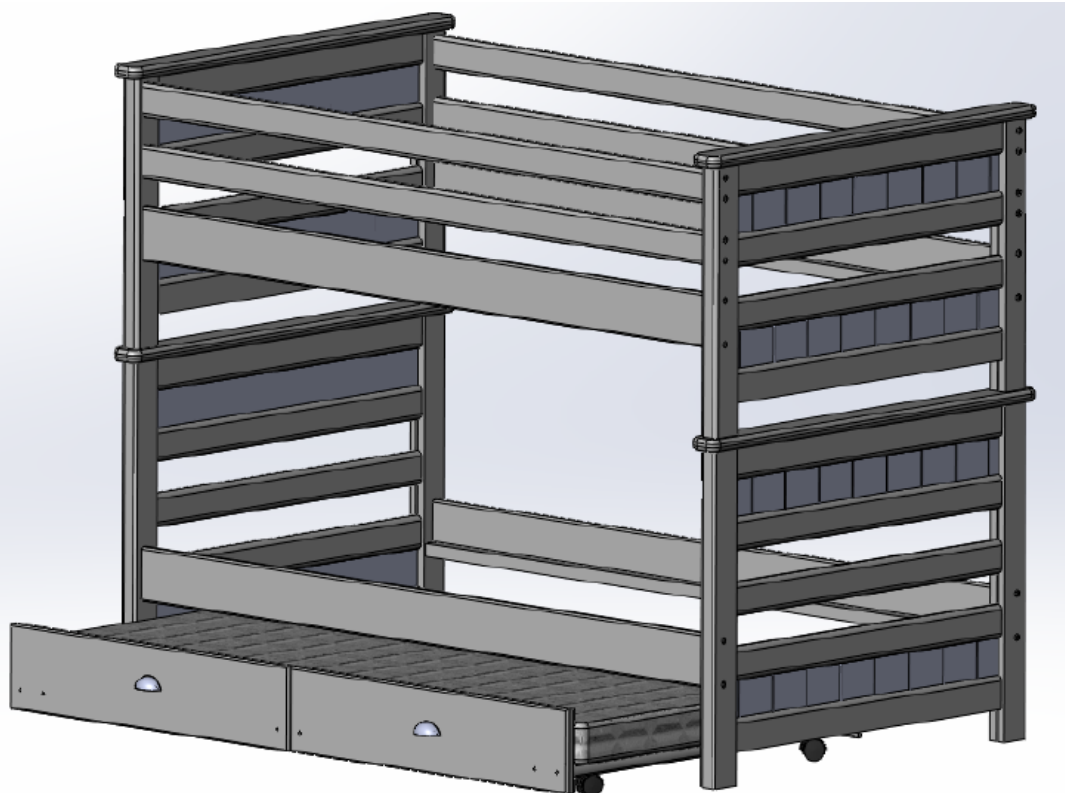
PARTS LIST

BOX 1: 4697 Summit Trundle

Part #	Picture	Description	Quantity
4697		Summit Trundle Assembly	1
5048-00000		Bunkie Mattress	1
5045-65303		Caster Wheel	4
5045-65301		Caster Wheel Insert	4
5043-00415		Summit Cup Pull	2
5040-35643		1 1/2" Combo Truss Screw	4

Make sure you have all parts before beginning assembly. If you need a part, contact Living Spaces

COMPLETED ASSEMBLY



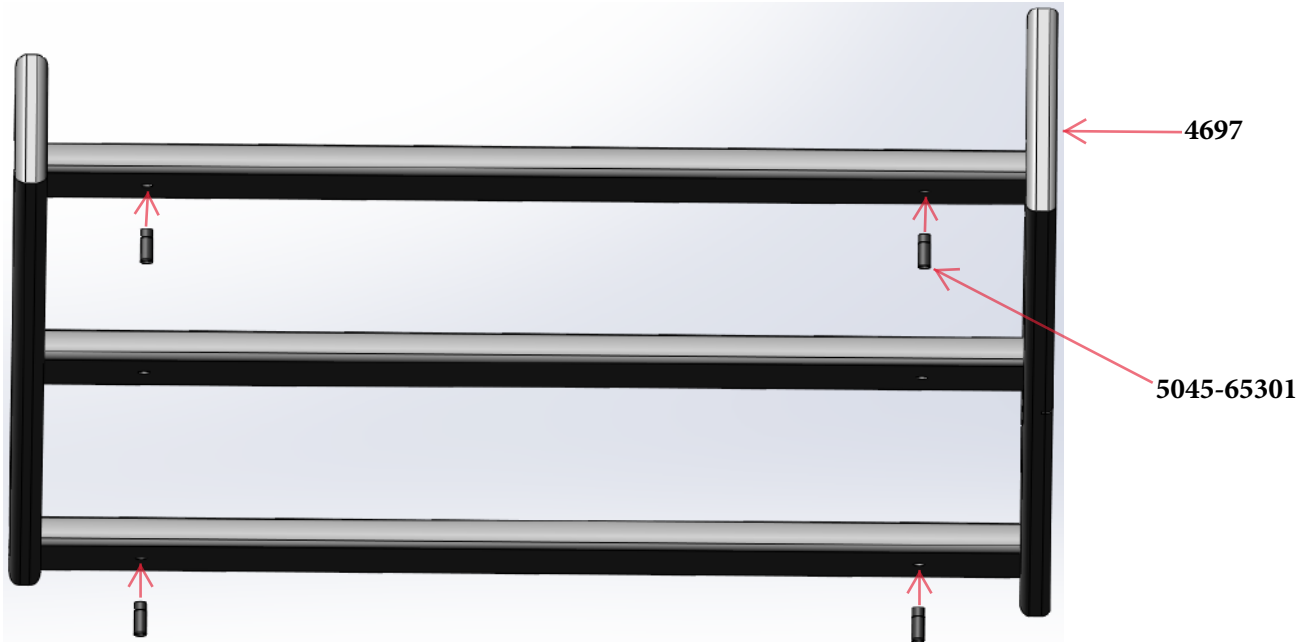
***NOTE: CASTERS HAVE INSERTS WHICH MUST BE DRIVEN FLUSH WITH THE HOLES DRILLED, BEFORE THE CASTERS ARE INSERTED. ATTEMPTING TO DRIVE THE INSERTS IN WITH THE CASTER WHEELS MAY RESULT IN DAMAGE TO THE WHEELS

TOOLS REQUIRED:

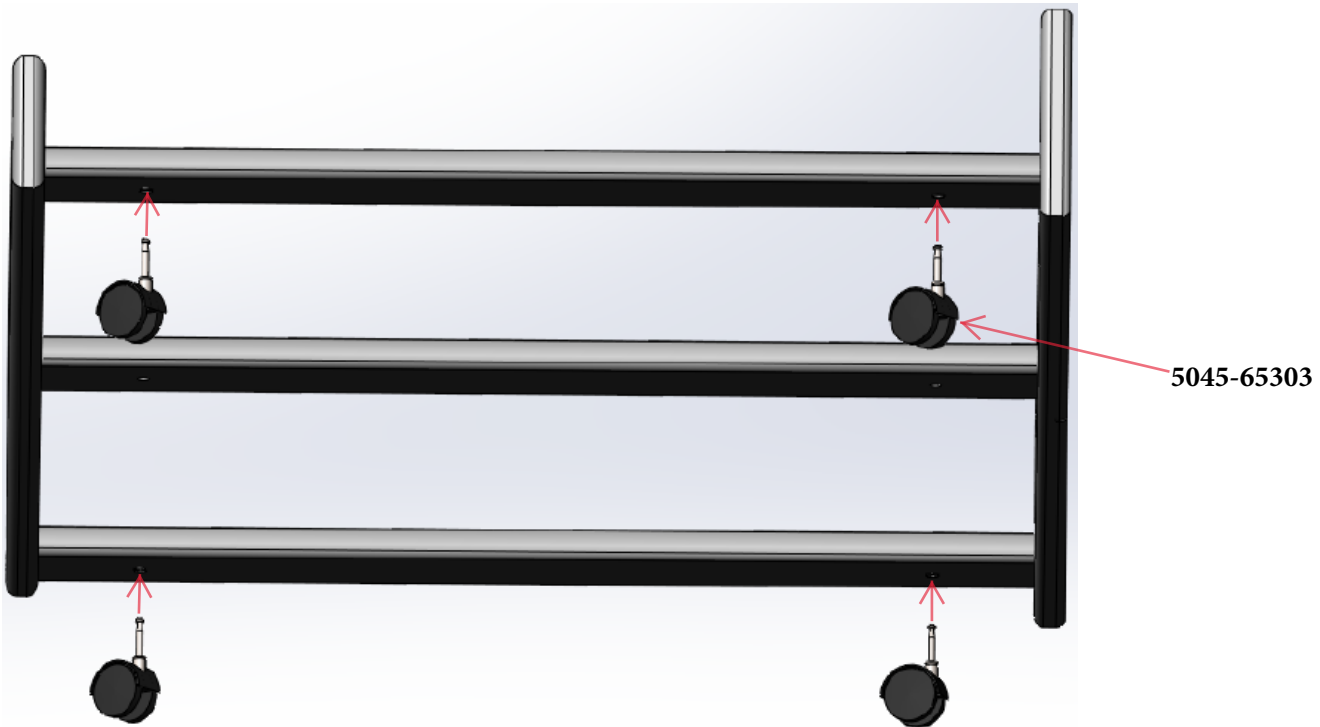
NONE

ASSEMBLY INSTRUCTIONS:

- 1) Push the 4 caster inserts into the pre-drilled holes on the bottom of the bed. Make sure the inserts sit flush with the holes and do not protrude. ****Do no attempt to complete step 1 with the caster stems attached to the caster inserts****



- 2) Once all 4 caster inserts are in place, install the caster wheels by pushing the stems of the caster wheels into the inserts and locking them into place. Assembly is complete once all 4 caster wheels have been installed.



- 3) Attach the 2 Summit cup pulls (5043-00415) to the front of your trundle assembly using the pre-drilled holes and the 1 1/2" combo truss screws (5040-35643). Refer to the last page of these instructions for assistance.

- 4) Add bunkie mattress (5048-00000) and push completed trundle bed underneath the bottom bunk for storage, as shown in completed assembly drawing on the front page of these instructions.

7030-01195 KIT



(Scan code for instructional video)

Mateo/Summit Collections: Knob and Pull Installation

1. Locate the box containing your knobs and/or pulls in the bottom drawer of your case good.
2. Identify which of the screw sizes is correct for your drawers/doors. The screw should protrude no more than 1/4" when pushed through the pre-drilled holes on your drawers/doors.
3. Push the screw through the back of the pre-drilled hole on the drawer/door and line it up with the thread on the back of the knob/pull.
4. Tighten the screw into the back of the knob/pull until the knob/pull is tight against the front of your drawer/door.

****You can tighten your screws with either a phillips screwdriver, a drill with a phillips bit, or your hand****

