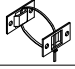



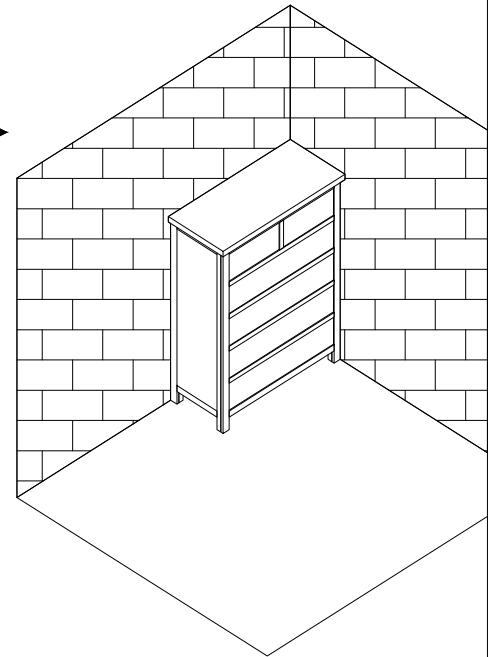


		<p>⚠ WARNING</p> <p>Children have died from furniture tipover. To reduce the risk of furniture tipover:</p> <ul style="list-style-type: none">• ALWAYS install tipover restraint provided.• NEVER put a TV on this product.• NEVER allow children to stand, climb or hang on drawers, doors, or shelves.• NEVER open more than one drawer at a time.• Place heaviest items in the lowest drawers. <p><i>This is a permanent label. Do not remove!</i></p>
		

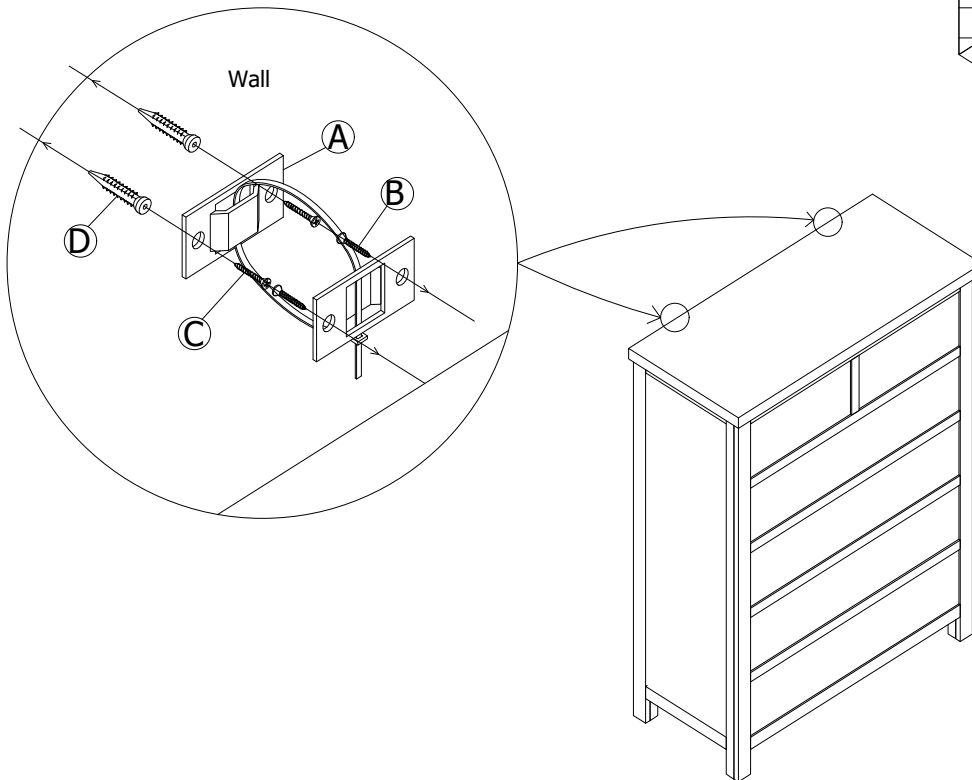
ASSEMBLY INSTRUCTIONS:

1. Remove hardware from box and sort by size.
2. Please check to see that all hardware and parts are present prior start of assembly.
3. Please follow the attached instructions in the same sequence as numbered to ensure fast and easy assembly.
4. DO NOT ATTEMPT to repair or modify parts that are broken or defective. Please contact the store immediately.
5. This product is for home use only and not intended for commercial establishments.
6. Two or more people assembly required.
7. Approximate assembly time: 30 minutes.
8. All component parts and fittings are contained in the box.
9. Please sort all parts before beginning assembly.
10. We **STRONGLY RECOMMEND** that you **ANCHOR** this product.
11. Toppling furniture can cause serious injuries and death.
12. This product has not been fitted with an anchor strap, therefore to prevent your furniture from tipping forward, it is strongly recommended that you securely attach this product to a wall or other solid surfaces with the anchor straps and hardware provided.

No	Hardware list		Qty
A		Anti-tip kit	2
B		Screw M4x20	4
C		Screw M4x35	4
D		Wall plug	4



Step 1:



Step 2: Finish

