

LIVING SPACES

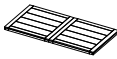
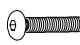





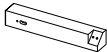




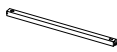
OWNER'S MANUAL

GABLES EXTENSION DINING TABLE
 LIVING SPACES SKU : 246108
 VENDOR ITEM NO. : 8EJ860

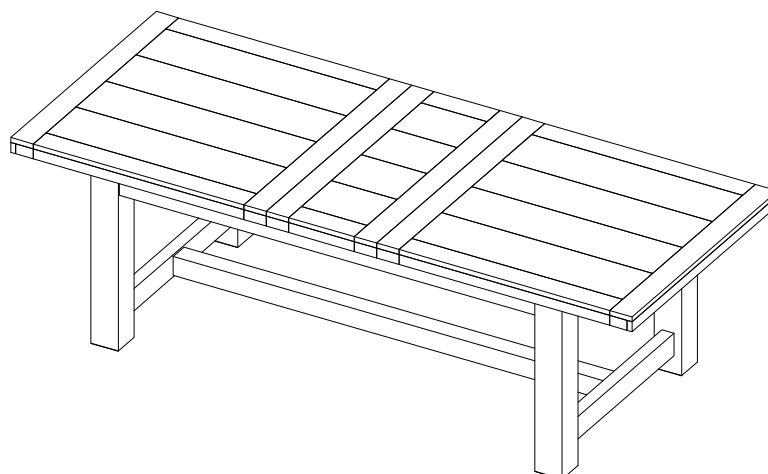


Scan QR code to view assembly video



ASSEMBLY PARTS LIST

SKU #	IMAGE	DESCRIPTION	QUANTITY	HARDWARE KIT PACKED IN BOX			
				SKU #	IMAGE	DESCRIPTION	QUANTITY
246108-1		TABLE TOP	1	8EZZ60HW-1		ALLEN BOLT (5/16" x 60mm)	8
8EJ860EL		EXTENSION LEAF	1	8EZZ60HW-2		FLAT WASHER (5/16")	8
				8EZZ60HW-3		LOCK WASHER (5/16")	14
8EJ860LLC		LEFT LEG C	2	8EZZ60HW-4		ALL THREAD BOLT (5/16"x80mm)	6
8EJ860LRD		RIGHT LEG D	2	8EZZ60HW-5		HEX NUT (5/16")	6
				8EZZ60HW-6		ARC WASHER	6
8EJ860SS		SIDE STRETCHER	2	8EZZ60HW-7		SPANNER	1
				8EJ860SL		MIDDLE STRETCHER	1

FULLY ASSEMBLED



PRE-ASSEMBLED PARTS LIST

SKU #	IMAGE	DESCRIPTION	SKU #	IMAGE	DESCRIPTION
8EJ860LL		LOCKING LATCH	8EZZ60LV		LEG LEVELER

LIVING SPACES

OWNER'S MANUAL

GABLES EXTENSION DINING TABLE
LIVING SPACES SKU : 246108
VENDOR ITEM NO. : 8EJ860



Scan QR code to view assembly video

ASSEMBLY INSTRUCTIONS



1

8EJ860LLC 8EJ860LRD 8EZZ60HW-4 (X4)

2

8EJ860LLC 8EJ860SS 8EJ860LRD 8EZZ60HW-3 8EZZ60HW-5 8EZZ60HW-6 8EZZ60HW-7 (X2)

3

8EJ860LRD 8EZZ60HW-4 (X2)

4

8EJ860SL 8EZZ60HW-3 8EZZ60HW-5 8EZZ60HW-6 8EZZ60HW-7 (X2)

5

246108-1 8EZZ60HW-1 8EZZ60HW-2 8EZZ60HW-3 8EZZ60HW-8 (X8)

LIVING SPACES

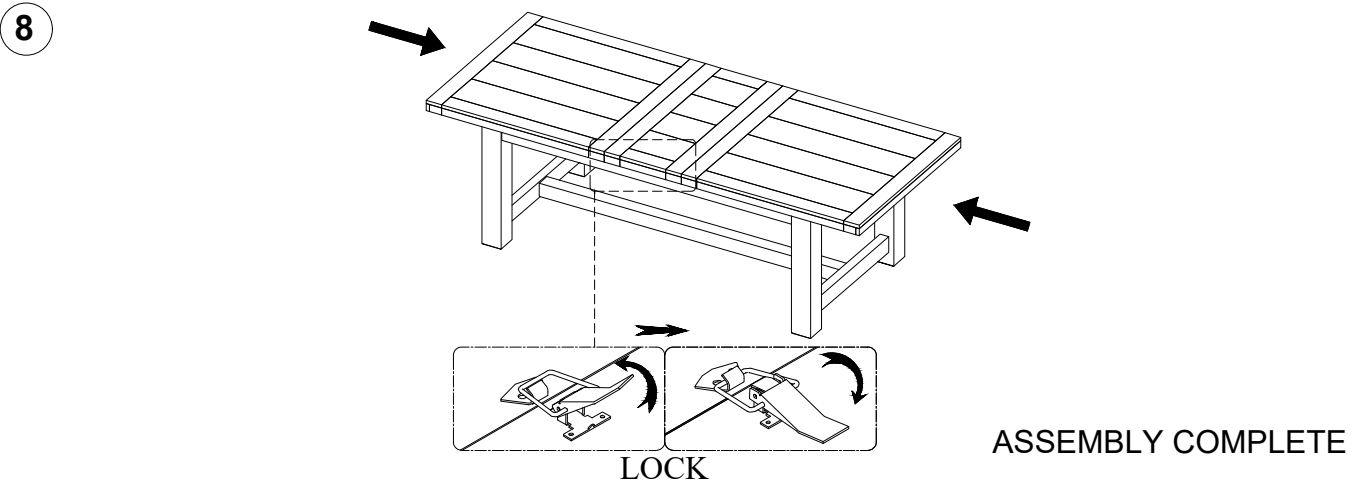
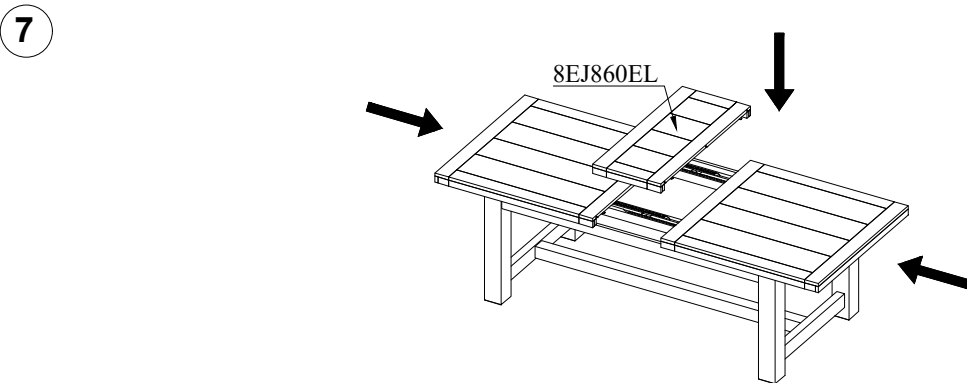
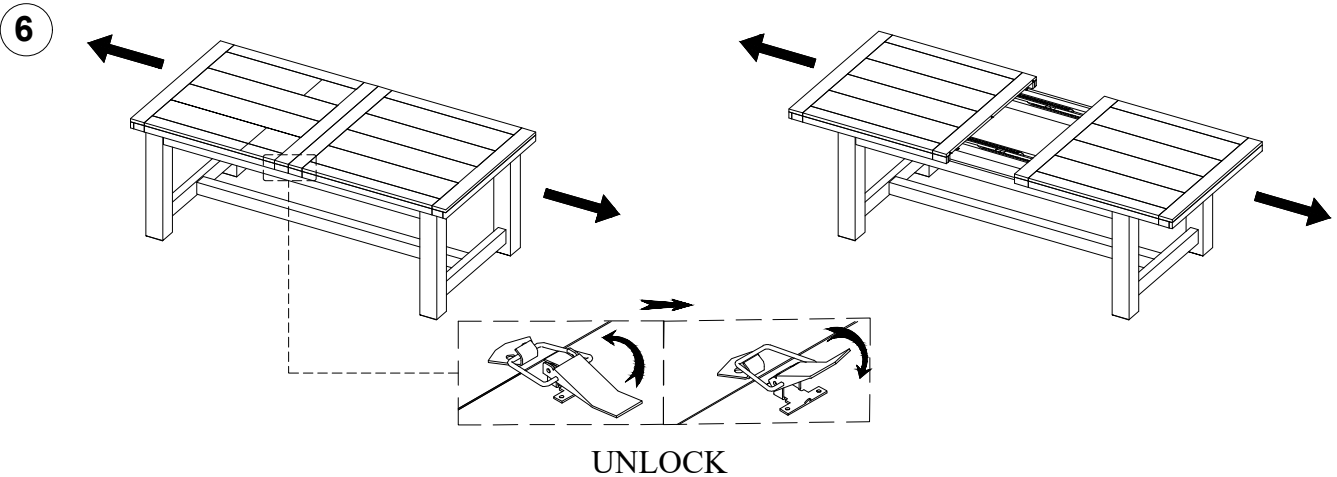
OWNER'S MANUAL

GABLES EXTENSION DINING TABLE
LIVING SPACES SKU : 246108
VENDOR ITEM NO. : 8EJ860



Scan QR code to view assembly video

ASSEMBLY INSTRUCTIONS



LIVING SPACES

OWNER'S MANUAL

GABLES EXTENSION DINING TABLE
LIVING SPACES SKU : 246108
VENDOR ITEM NO. : 8EJ860



Scan QR code to view assembly video



WARNING:

- Maximum distributed load capacity: 414 lbs.
- Sitting, standing or jumping on this product may result in damage or injury.

ROUTINE MAINTENANCE:

Periodically check all fittings and tighten if necessary, as they can loosen over time. If uneven, the table can be leveled by adjusting the levelers under the legs/base.

CARE AND CLEANING:

SOLID WOOD FURNITURE

Congratulations on purchasing this handcrafted solid wood furniture product. Please keep in mind that wood is sensitive to changes in humidity. As the weather changes so does the relative humidity in your home and the moisture content of your solid wood furniture. We have taken every precaution to stabilize the lumber used to build this product. Still, you may observe plank movement or small cracks as the seasons change, particularly during the first 6-12 months of ownership. This is normal for solid wood furniture and will not affect the performance or longevity of this product.

Dust frequently with a clean, damp, lint-free cloth. Frequent dusting will remove abrasive build-up which can damage a finish over time. Avoid using oily polishes or waxes. Avoid exposing your furniture to strong sunlight. Prolonged exposure to direct sunlight can fade the finish of your furniture. Do not expose your furniture to any liquids. Never allow water to sit on your furniture. Do not place hot items on top of surface, always use a mat or other protector. Alcohol, nail polish and perfume are also dangerous, as they can dissolve the furniture finish on contact and may require professional repairs.