

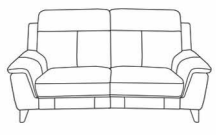
Vendor Information	
Vendor Name:	HTL Furniture
Vendor Code:	HTLF
Parts Contact Name:	RC Parts
Phone:	626-486-2500 EXT-115
Email:	Rcparts@us.htlinternational.com

Living Spaces Information	
LS SKU:	242012 & 242020 242015 & 242023
LS Product Name:	MOANA POWER RECLINING SOFA MOANA POWER RECLINING LOVESEAT
Vendor Model #:	RS-11573
Vendor Collection:	

CODE	PART #	DESCRIPTION	SHIPS IN 48HRS	QUANTITY	PRICING	NOTES
A	WLG-1065-27L	LEG	YES	4		
D	MOT-YC-02	SPLITTER CABLE	YES	1		
E	MOTTP08-120	TRANSFORMER	YES	1		

No.	Description	Picture	Qty
A	LEG		4
B	BOLT		4
C	ALLEN KEY		1
D	SPLITTER CABLE		1
E	TRANSFORMER		1

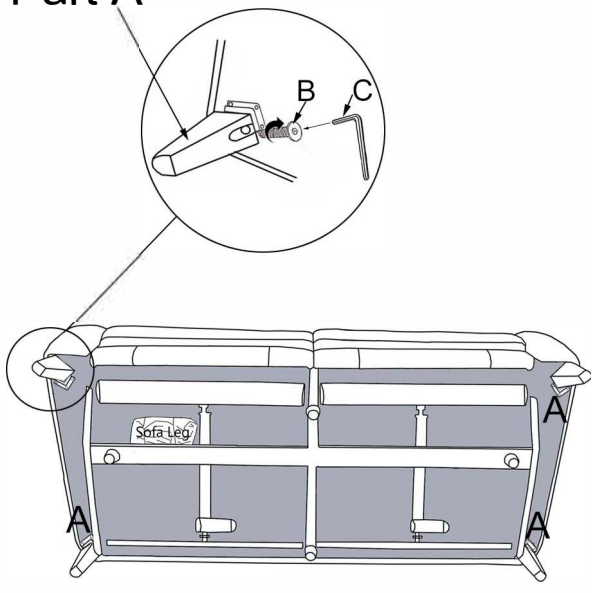
MOANA



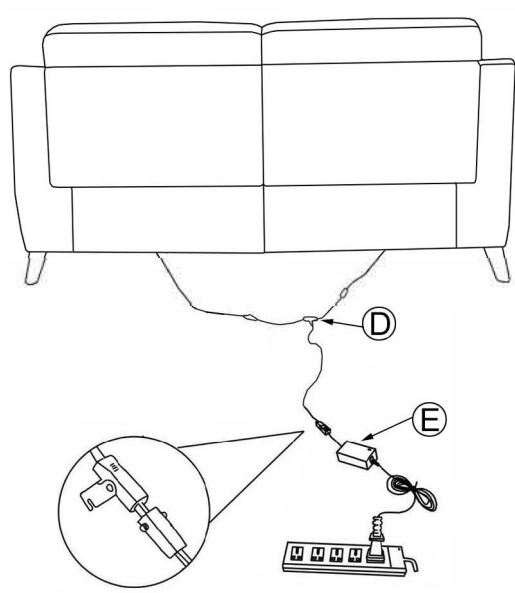
SERVER

1

Part A



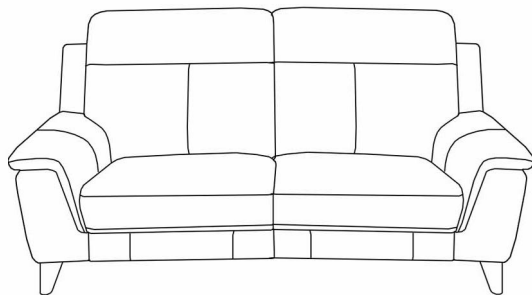
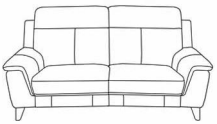
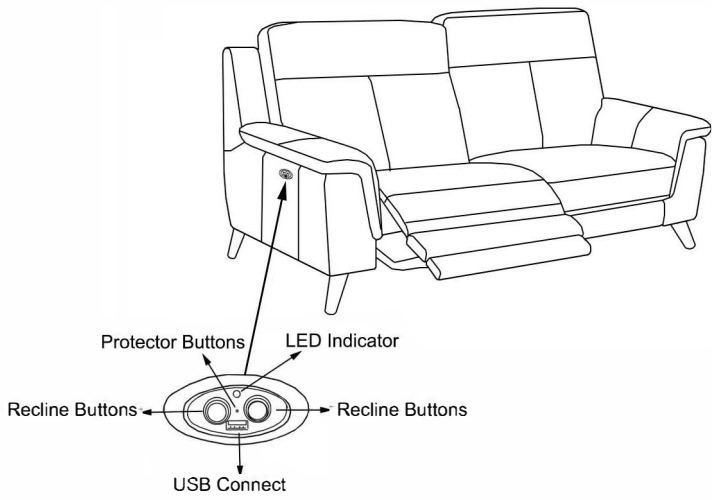
2



Vendor Information	
Vendor Name:	HTL Furniture
Vendor Code:	HTLF
Parts Contact Name:	RC Parts
Phone:	626-486-2500 EXT-115
Email:	Rcparts@us.htlinternational.com

Living Spaces Information	
LS SKU:	242012 & 242020 242015 & 242023
LS Product Name:	MOANA POWER RECLINING SOFA MOANA POWER RECLINING LOVESEAT
Vendor Model #:	RS-11573
Vendor Collection:	

3



**Vendor Information**

Vendor Name: HTL Furniture  
 Vendor Code: HTLF  
 Parts Contact Name: RC Parts  
 Phone: 626-486-2500 EXT-115  
 Email: [Rcparts@us.htlinternational.com](mailto:Rcparts@us.htlinternational.com)

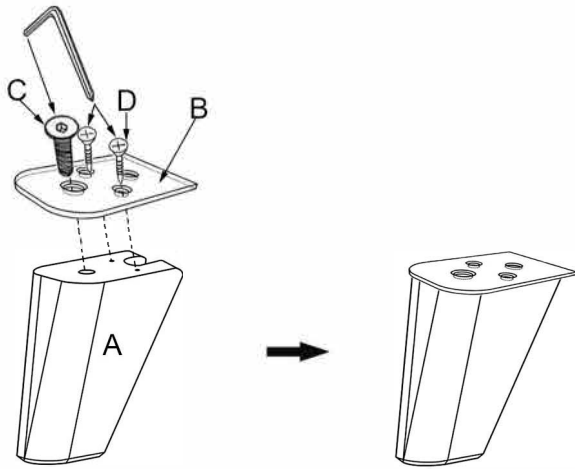
**Living Spaces Information**

LS SKU: 242012 & 242020 242015 & 242023  
 LS Product Name: MOANA POWER RECLINING SOFA  
 MOANA POWER RECLINING LOVESEAT  
 Vendor Model #: RS-11573  
 Vendor Collection:

CODE	PART #	DESCRIPTION	SHIPS IN 48HRS	QUANTITY	PRICING	NOTES
A	WLG-1065-27L	LEG	YES	1		
E	WLG-1199-27L	MIDDLE LEG	YES	1		

①

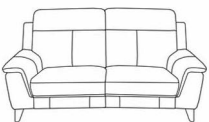
No.	Description	Picture	Qty
A	LEG		1
B	METAL PLATE		1
C	BOLT	 M10x40mm	1
D	SCREW	 M5x30mm	2
	ALLEN KEY		



No.	Description	Picture	Qty
E	MIDDLE LEG		1

②

MOANA



101492/D4046-15  
SERVER

