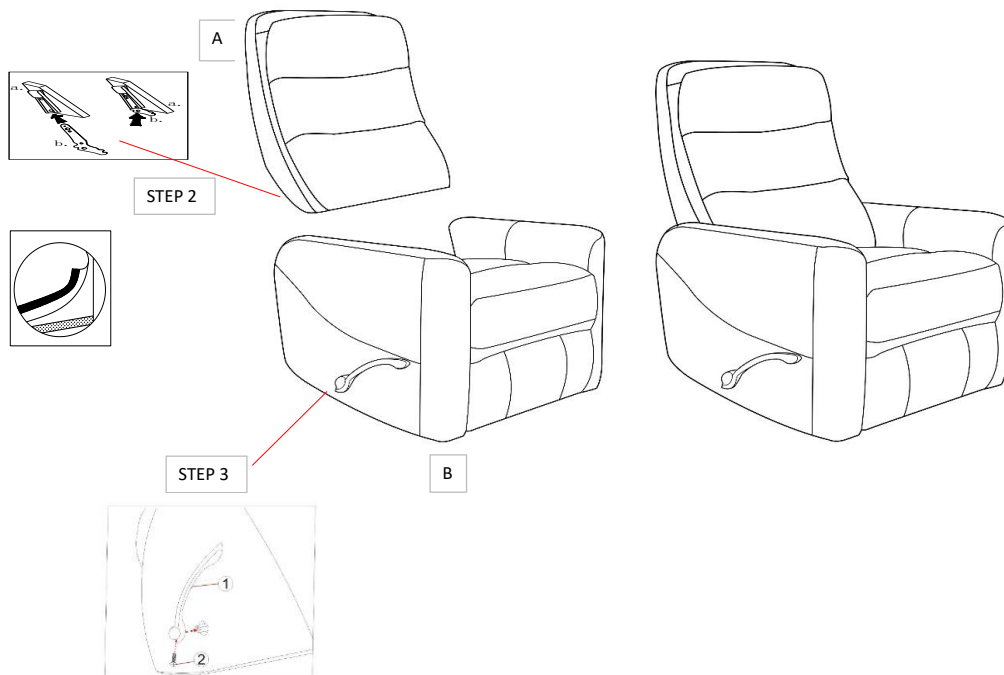




HERCULES MANUAL RECLINER - ASSEMBLY INSTRUCTIONS

Step 1:
Parts list on the right



PARTS LIST:		Sofa	Loveseat	Recliner
A	BACK			1
B	SEAT			1
C	metal handle			1
C	flat head screw- skid proof			1

Step 2: Attached the KD back to the base frame by aligning the brackets with the mechanism post as seen at the left. After aligning both sides, push firmly in a downward motion until you hear a clicking noise. The noise indicates the back is locked to the base frame. Please make sure both sides are locked in position. Attached the outside backflap to the bottom of the wooden rail by tucking the velcro.(As shown on left)

Step 3: Attach handle onto square knob, then insert flat head screw on the underside of handle and screw tight.

Picture shown for reference only.

MADE IN VIETNAM