

MARTINIQUE II BISTRO PUB TABLE

17BT318-8080A

218000

Assembly Instruction

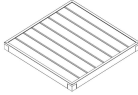
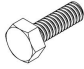
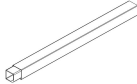



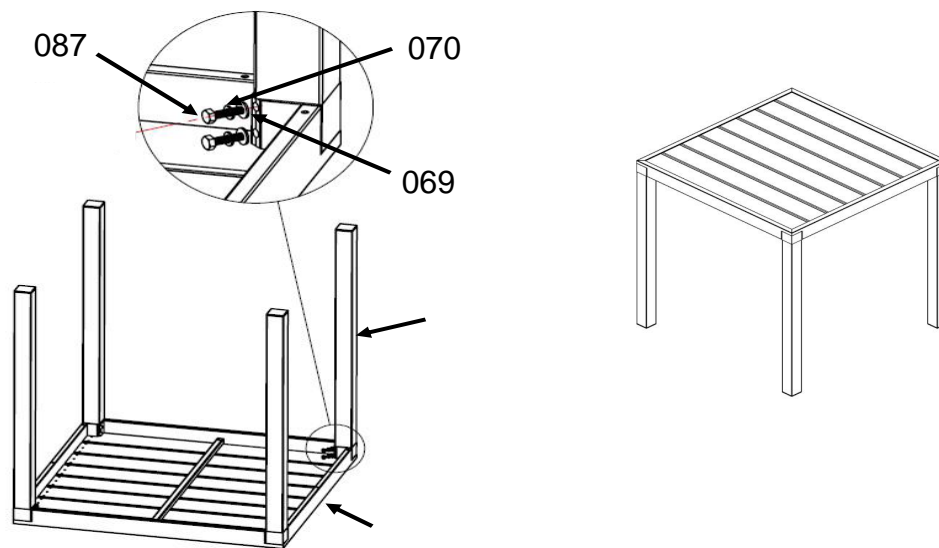
Parts List:				Hardware List:			
REF.	PART NAME	PART IMAGE	Q'TY	REF.	PART NAME	PART IMAGE	Q'TY
A	Table Top		1	087	Bolt (M8*25mm)		8
B	Table Leg		4	103	Lock washer (M8,ID8.5,OD14)		8
				102	Washer (m8,ID8.5,OD14)		8
				003	Allen wrench		1

Diagram:



Assembly Step:

Step1:Pls remove protective wrapping and lay all parts on the floor.Make sure all parts packed in carton against attached parts list are presented.

Step2:Place a protective soft material before laying the table top on floor,assemble the dining table as the above diagram.

Step3:After all parts are aligned and tightened properly,pls turn over the dining table carefully with a second person's assistance.Make sure the legs are on a flat surface.