



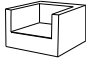
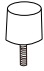


LIVING SPACES

## OUTDOOR KORO LOUNGE CHAIR

17C258A-W  
217212

## Assembly Instruction

### Parts List:

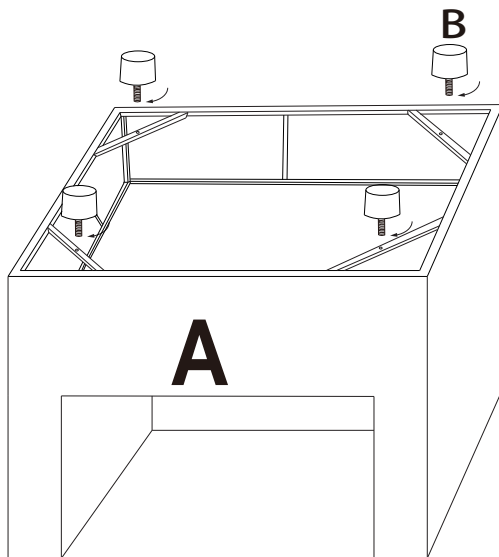
REF	DESCRIPTION	IMAGE	QTY
A	SEAT		1
B	LEG		4
C	CUSHION		1
D	BACK PAD		1

### Hardware List:

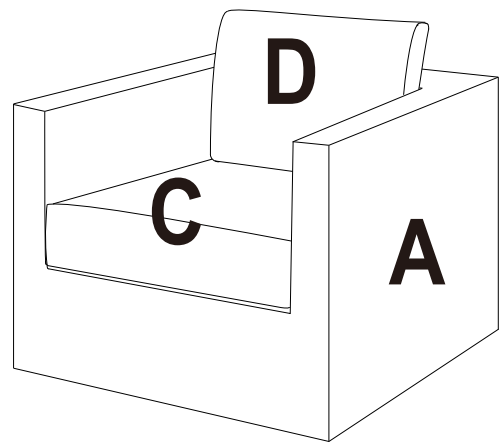
REF	DESCRIPTION	IMAGE	QTY

### Diagram:

#### Step 1



#### Step 2



### Assembly Steps:

Tip- Remove protective wrapping and lay all parts on floor. Identify all parts packed in Carton against attached parts list to make sure all parts are presented.

Step 1: Place a protective soft material on floor. Lay seat (A) upside down on floor, the bottom is facing up. Then attach Leg (B) to the bottom as shown in Diagram.

Step 2: With a second person's assistance carefully turn the chair over onto its legs. Make sure legs rest on a flat surface. Put the seat cushion and back cushion on the sofa.

**NOTE: IT IS USER'S RESPONSIBILITY TO MAKE SURE ALL PARTS ARE ASSEMBLED AND TIGHTENED PROPERLY AND SECURELY.**