

Vendor Information	
Vendor Name:	HTL Furniture
Vendor Code:	HTLF
Parts Contact Name:	RC Parts
Phone:	626-486-2500 EXT-115
Email:	Rcparts@us.htlinternational.com

Living Spaces Information	
LS SKU:	106086 106080 106087 106083 106081 106085 106078 106072 106079 106076 106074 106077
LS Product Name:	KRISTEN
Vendor Model #:	RS-10641

CODE	PART #	DESCRIPTION	SHIPS IN 48HRS	QUANTITY	PRICING	NOTES
H	MOT-TP08-120	TRANSFORMER	YES	3		

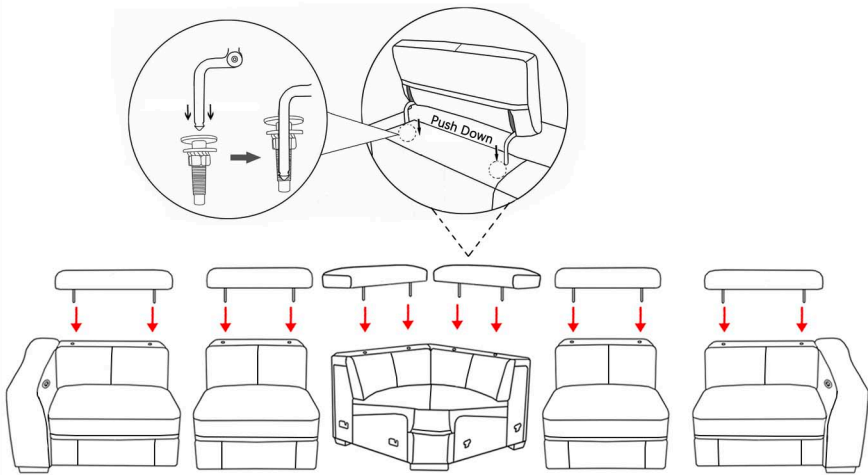
No.	Description	Picture	Qty
A	HEADREST		6
B	1.25EL1U		1
C	1.25NA		1
D	C12		1
E	1.25NA1V		1
F	STA		1
G	1.25ER1U		1
H	TRANSFORMER		3

KRISTEN

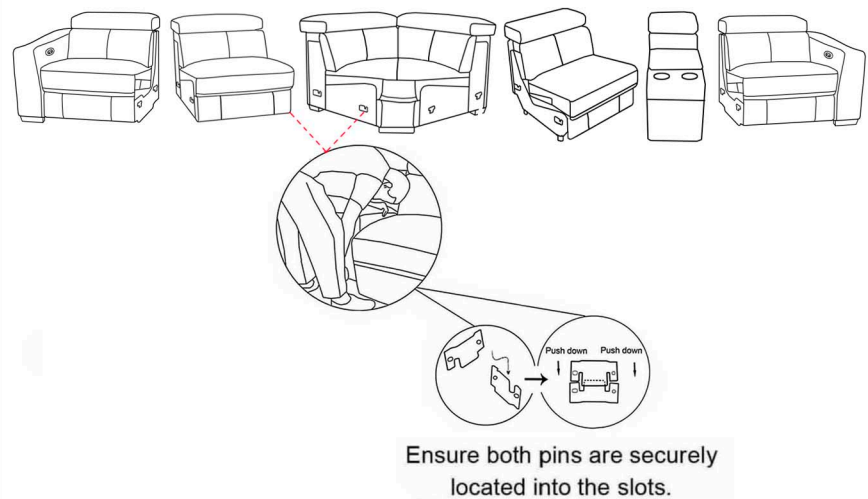


106086/106080/106087/106083
106081/106085
106078/106072/106079/106076
106074/106077
1.25EL1U/1.25NA/C12/1.25NA1V
STA/1.25ER1U
6PCS CORNER GROUP WITH 3
POWER UNITS

1



2





LIVING SPACES

Vendor Information

Vendor Name: HTL Furniture
 Vendor Code: HTLF
 Parts Contact Name: RC Parts
 Phone: 626-486-2500 EXT-115
 Email: Rcparts@us.htlinternational.com

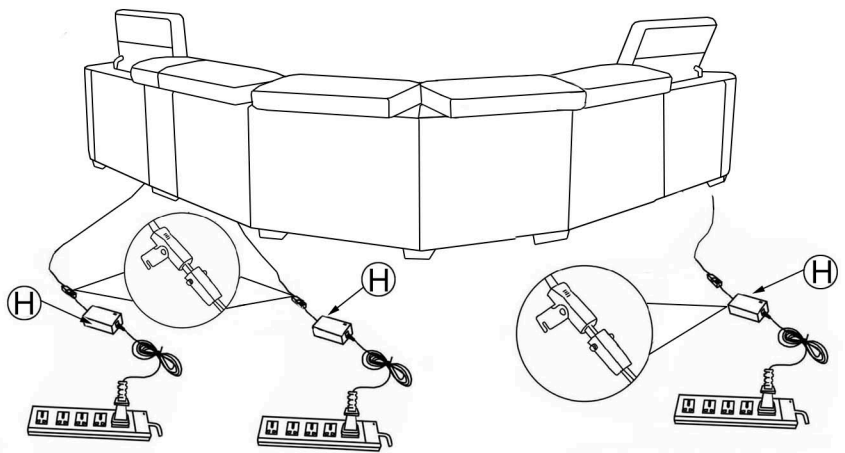
Living Spaces Information

LS SKU: 106086 106080 106087 106083 106081 106085
 106078 106072 106079 106076 106074 106077
 LS Product Name: KRISTEN
 Vendor Model #: RS-10641

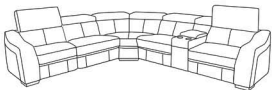


LIVING SPACES

3

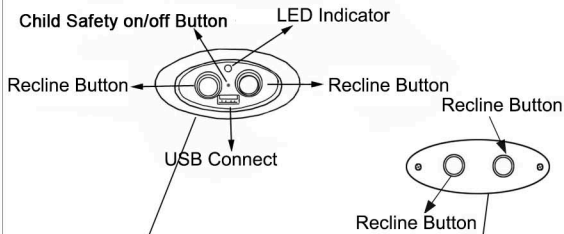


KRISTEN

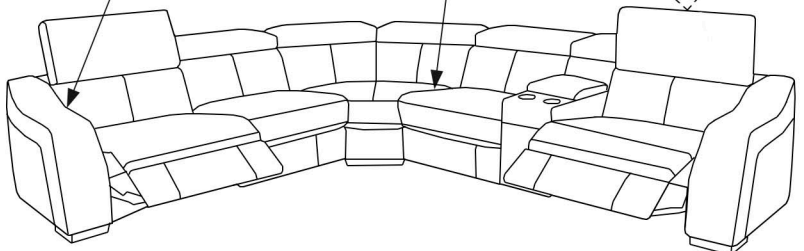
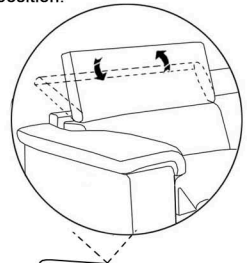


4

106086/106080/106087/106083
 106081/106085
 106078/106072/106079/106076
 106074/106077
 1.25EL1U/1.25NA/C12/1.25NA1V
 STA/1.25ER1U
 6PCS CORNER GROUP WITH 3
 POWER UNITS



Reset the ratchet headrest by pushing all the way forward and then pushing back to the down position.



Not provided



LIVING SPACES

Vendor Information

Vendor Name: HTL Furniture
Vendor Code: HTLF
Parts Contact Name: RC Parts
Phone: 626-486-2500 EXT-115
Email: Rcparts@us.htlinternational.com

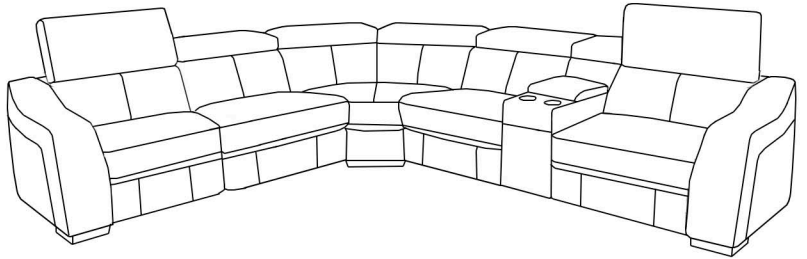
Living Spaces Information

LS SKU: 106086 106080 106087 106083 106081 106085
106078 106072 106079 106076 106074 106077
LS Product Name: KRISTEN
Vendor Model #: RS-10641

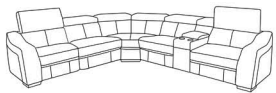


LIVING SPACES

5



KRISTEN



106086/106080/106087/106083
106081/106085
106078/106072/106079/106076
106074/106077
1.25EL1U/1.25NA/C12/1.25NA1V
STA/1.25ER1U
6PCS CORNER GROUP WITH 3
POWER UNITS



Not provided